

# COMe-bBD7



## COM Express® basic Type 7 with Intel® Xeon® and Pentium® D-1500 SoC processor

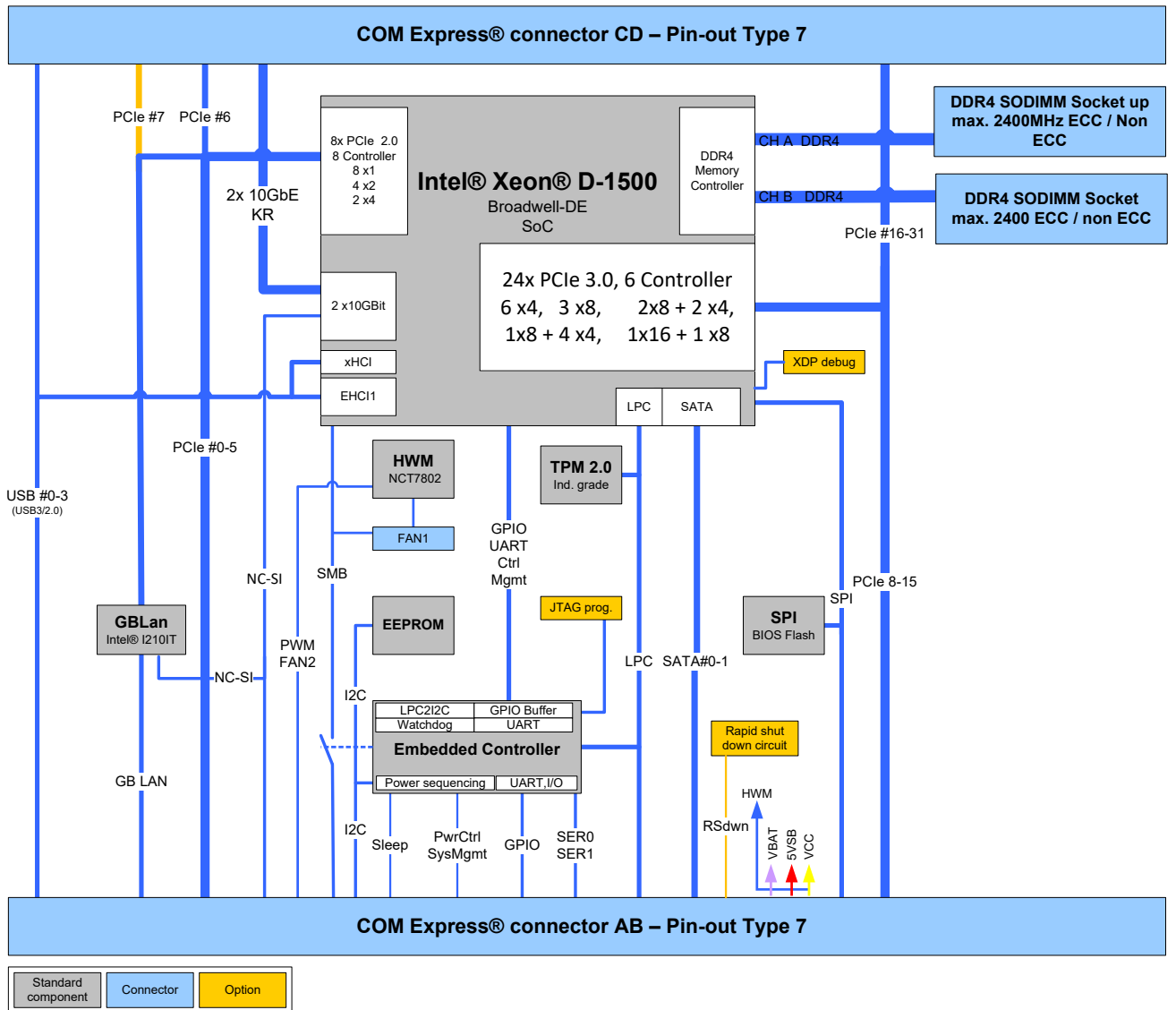
- ▶ Server-grade platform
- ▶ Up to 64 GByte DDR4 ECC/non-ECC
- ▶ Dual 10GbE interfaces
- ▶ High-speed connectivity 24x PCIe 3.0 + 8x PCIe 2.0, 4x USB 3.0, 2x SATA3
- ▶ Industrial grade versions

POSSIBILITIES START HERE

## ► TECHNICAL INFORMATION

<b>COMPLIANCE</b>	COM Express® Basic, Pin-out Type 7
<b>DIMENSIONS (H x W x D)</b>	95 x 125 mm
<b>CPU (SoC)</b>	Intel® Xeon® Processor D-1577, 16 C, 1.3 GHz, 24 MByte, 45 W, Intel® Xeon® Processor D-1548, 8 C, 2.0 GHz, 12 MByte, 45 W, Intel® Xeon® Processor D-1537, 8 C, 1.7 GHz, 12 MByte, 35 W, Intel® Xeon® Processor D-1528, 6 C, 1.9 GHz, 9 MByte, 35 W, Intel® Xeon® Processor D-1527, 4 C, 2.2 GHz, 6 MByte, 35 W, Intel® Pentium® Processor D1517, 4 C, 1.6 GHz, 6 MByte, 25 W, Intel® Pentium® Processor D1508, 2 C, 2.2 GHz, 3 MByte, 25 W, Intel® Xeon® Processor D-1559, 12 C, 1.5 GHz, 18 MByte, 45 W, ind. Temp Intel® Xeon® Processor D-1539, 8 C, 1.6 GHz, 12 MByte, 35 W, ind. Temp Intel® Pentium® Processor D1519, 4 C, 1.5 GHz, 6 MByte, 25 W, ind. Temp
<b>MAIN MEMORY</b>	2x DDR4 SODIMM dual channel up to 64 GByte ECC or non ECC
<b>ETHERNET CONTROLLER</b>	Intel® I210IT (uses one lane of PCIe 2.0) Intel® Dual 10GbE LAN integrated in SoC
<b>ETHERNET</b>	1x 10/100/1000 MBit Ethernet Dual 10GbE Interface (KR) and NC-SI
<b>STORAGE</b>	2x SATA3, 6Gb/s
<b>FLASH ONBOARD</b>	
<b>PCI Express®</b>	24x PCIe 3.0 (6 controllers, x4, x8, x16 configuration) 8x PCIe 2.0 (8 controllers, x1, x2, x4 configuration), one lane used by onboard 1 GbE LAN controller
<b>USB</b>	4x USB 3.0/2.0
<b>SERIAL</b>	2x serial interface (RX/TX only)
<b>COMMON FEATURES</b>	SPI, LPC, SMB, Fast I <sup>2</sup> C, Staged Watchdog, RTC
<b>BIOS</b>	AMI UEFI
<b>HUMIDITY</b>	93 % relative Humidity at 40° C, non-condensing (according to IEC 60068-2-78)
<b>POWER MANAGEMENT</b>	ACPI 5.0
<b>POWER SUPPLY</b>	ATX, 8.5 V – 20 V Wide Range, Single Supply Power
<b>SPECIAL FEATURES</b>	Trusted Platfom Module TPM 2.0
<b>OPERATING SYSTEM</b>	Linux, Windows® Server 2012 / 2012 R2 / 2016, Windows® 7, Windows® 10, VxWorks 7.x
<b>TEMPERATURE</b>	Commercial temperature 0 °C - 60 °C (COMe-bBD7) Industrial temperature -40 °C to +85 °C (COMe-bBD7R E2)
<b>SUPPORTED MODULES</b>	COMe-bBD7 xxxxx commercial grade COMe-bBD7R E2 xxxxx industrial grade

► BLOCKDIAGRAM



► GLOBAL HEADQUARTERS

Kontron Europe GmbH

Gutenbergstraße 2  
85737 Ismaning, Germany  
Tel.: +49 821 4086-0  
Fax: +49 821 4086-111  
info@kontron.com

www.kontron.com