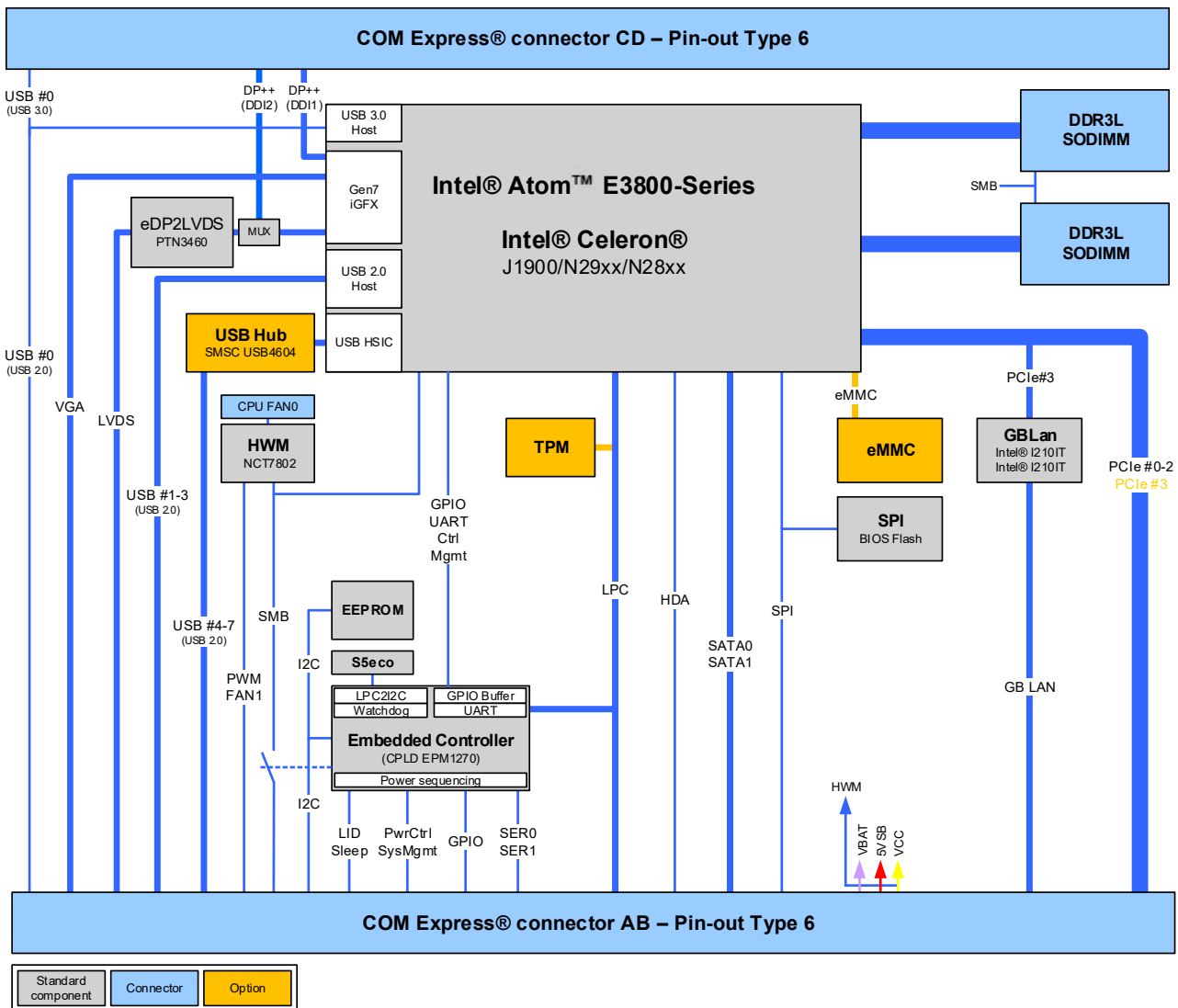




## COM Express® Compact Type 6 with Intel Atom® E3800 & Celeron® Series

- ▶ Intel Atom® E3800 & Celeron® series
- ▶ Up to 2x 4 GByte DDR3L SODIMM dual channel
- ▶ Up to 8x USB 2.0, 1x USB 3.0, eMMC Flash, 2x SATA
- ▶ Industrial grade temperature

<b>COMPLIANCE</b>	COM Express® compact, Pin-out Type 6
<b>DIMENSIONS</b>	95 x 95 mm
<b>CPU</b>	Intel Atom® E3845, Intel Atom® E3827, Intel Atom® E3826, Intel Atom® E3825, Intel Atom® E3815, Intel® Celeron® J1900, Intel® Celeron® N2920, Intel® Celeron® N2930, Intel® Celeron® N2807
<b>CHIPSET</b>	-
<b>MAIN MEMORY</b>	2x DDR3L-1333 SODIMM up to 2x 4 GByte
<b>GRAPHICS CONTROLLER</b>	Intel® HD Graphics (Gen7)
<b>ETHERNET CONTROLLER</b>	Intel® I210IT/I210AT
<b>ETHERNET</b>	10/100/1000 MBit Ethernet
<b>HARD DISK</b>	2x SATA 3Gb/s
<b>FLASH ONBOARD</b>	8-64 GByte eMMC
<b>PCI EXPRESS® / PCI SUPPORT</b>	3x PCIe x1
<b>PANEL SIGNAL</b>	DDI1: DP++, DDI2: DP++ (shared w/LVDS), DDI3: -, VGA: Yes, LVDS: Dual Channel 18/24bit
<b>USB</b>	1x USB 3.0 (incl. USB 2.0), 3x USB 2.0 from CPU, 4x USB 2.0 from HSIC Hub
<b>SERIAL</b>	2x serial interface (RX/TX only)
<b>AUDIO</b>	Intel® High Definition Audio
<b>COMMON FEATURES</b>	SPI, LPC, SMB, Fast I <sup>2</sup> C, Staged Watchdog, RTC
<b>BIOS</b>	Phoenix Secure Core UEFI
<b>HUMIDITY</b>	93 % relative Humidity at 40 °C, non-condensing (according to IEC 60068-2-78)
<b>OPTIONS</b>	1x PCIe x1 additional w/o onboard LAN, Trusted Platform Module TPM 1.2, eMMC Flash onboard (4-32 GByte pSLC, 8-64 GByte MMLC), AES-NI
<b>POWER MANAGEMENT</b>	ACPI, S5 Eco
<b>POWER SUPPLY</b>	4.75 V – 20 V Wide Range, Single Supply Power
<b>SPECIAL FEATURES</b>	POSCAP capacitors, LVDS/DP Multiplexer
<b>OPERATING SYSTEM</b>	Windows® 8, Windows® 7, WEBS, WES7, WEC7, Linux, VxWorks
<b>TEMPERATURE</b>	Commercial temperature: 0 °C to +60 °C operating, -30 °C to +85 °C non-operating Industrial temperature: -40 °C to +85 °C operating, -40 °C to +85 °C non-operating



## Your Contact

JUMPttec GmbH

Brunnwiesenstraße 16  
94469 Deggendorf, Germany  
Tel.: + 49 991 37024-0  
contact@jumptec.de

www.jumptec.com

