

COMe-cTL6

User Guide Rev. 2.2

Doc. ID: 1068-0490

This page has been intentionally left blank

 COME-CTL6 – USER GUIDE

Disclaimer

Kontron would like to point out that the information contained in this user guide may be subject to alteration, particularly as a result of the constant upgrading of Kontron products. This document does not entail any guarantee on the part of Kontron with respect to technical processes described in the user guide or any product characteristics set out in the user guide. Kontron assumes no responsibility or liability for the use of the described product(s), conveys no license or title under any patent, copyright or mask work rights to these products and makes no representations or warranties that these products are free from patent, copyright or mask work right infringement unless otherwise specified. Applications that are described in this user guide are for illustration purposes only. Kontron makes no representation or warranty that such application will be suitable for the specified use without further testing or modification. Kontron expressly informs the user that this user guide only contains a general description of processes and instructions which may not be applicable in every individual case. In cases of doubt, please contact Kontron.

This user guide is protected by copyright. All rights are reserved by Kontron. No part of this document may be reproduced, transmitted, transcribed, stored in a retrieval system, or translated into any language or computer language, in any form or by any means (electronic, mechanical, photocopying, recording, or otherwise), without the express written permission of Kontron. Kontron points out that the information contained in this user guide is constantly being updated in line with the technical alterations and improvements made by Kontron to the products and thus this user guide only reflects the technical status of the products by Kontron at the time of publishing.

Brand and product names are trademarks or registered trademarks of their respective owners.

©2022 by Kontron Europe GmbH

Kontron Europe GmbH

Gutenbergstraße 2
85737 Ismaning, Germany
Germany
www.kontron.com

Intended Use

THIS DEVICE AND ASSOCIATED SOFTWARE ARE NOT DESIGNED, MANUFACTURED OR INTENDED FOR USE OR RESALE FOR THE OPERATION OF NUCLEAR FACILITIES, THE NAVIGATION, CONTROL OR COMMUNICATION SYSTEMS FOR AIRCRAFT OR OTHER TRANSPORTATION, AIR TRAFFIC CONTROL, LIFE SUPPORT OR LIFE SUSTAINING APPLICATIONS, WEAPONS SYSTEMS, OR ANY OTHER APPLICATION IN A HAZARDOUS ENVIRONMENT, OR REQUIRING FAIL-SAFE PERFORMANCE, OR IN WHICH THE FAILURE OF PRODUCTS COULD LEAD DIRECTLY TO DEATH, PERSONAL INJURY, OR SEVERE PHYSICAL OR ENVIRONMENTAL DAMAGE (COLLECTIVELY, "HIGH RISK APPLICATIONS").

You understand and agree that your use of Kontron devices as a component in High Risk Applications is entirely at your risk. To minimize the risks associated with your products and applications, you should provide adequate design and operating safeguards. You are solely responsible for compliance with all legal, regulatory, safety, and security related requirements concerning your products. You are responsible to ensure that your systems (and any Kontron hardware or software components incorporated in your systems) meet all applicable requirements. Unless otherwise stated in the product documentation, the Kontron device is not provided with error-tolerance capabilities and cannot therefore be deemed as being engineered, manufactured or setup to be compliant for implementation or for resale as device in High Risk Applications. All application and safety related information in this document (including application descriptions, suggested safety measures, suggested Kontron products, and other materials) is provided for reference only.

CAUTION

Handling and operation of the product is permitted only for trained personnel within a work place that is access controlled. Please follow the "General Safety Instructions" supplied with the system.

NOTICE

You find the most recent version of the "General Safety Instructions" online in the download area of this product.

NOTICE

This product is not suited for storage or operation in corrosive environments, in particular under exposure to sulfur and chlorine and their compounds. For information on how to harden electronics and mechanics against these stress conditions, contact Kontron Support.

Revision History

Revision	Brief Description of Changes	Date of Issue	Author
1.0	Initial version	2021-Sept-17	hjs
1.1	RTC range updated	2022-Jan-04	hjs
1.2	UART0 notice moved to 6.4.3	2022-Jan-31	hjs
1.3	BIOS Update	2022-Mar-18	CW
1.4	TDP parameter in Table 9 modified	2022-Apr-27	hjs
1.5	New coolers in Table 6: General Accessories	2022-May-19	hjs
1.6	I2C pin numbering changed Ch 4.1	2022-May-20	CW
1.7	GPIO Update Chapter 3.2	2022-Aug-01	CW
1.8	Updated description of Ethernet pins A4 & A5 and Table 9. Configurable TDP-up/down watts and frequency parameters.	2023-Mar-10	CW
1.9	Table 1, DP++ quantity increased to 3x	2023-Jun-12	CW
2.0	2.4.1.2 Voltage ripple changed to 200 mV and added the new logo.	2023-Aug-23	CW
2.1	SPI boot flash device updated in Table 56.	2024-Jan-10	CW
2.2	Chapter 2.3.5 DTR update and new Kontron Logo	2024-May-23	CW

Terms and Conditions

Kontron warrants products in accordance with defined regional warranty periods. For more information about warranty compliance and conformity, and the warranty period in your region, visit <http://www.kontron.com/terms-and-conditions>.

Kontron sells products worldwide and declares regional General Terms & Conditions of Sale, and Purchase Order Terms & Conditions. Visit <http://www.kontron.com/terms-and-conditions>.

For contact information, refer to the corporate offices contact information on the last page of this user guide or visit our website [CONTACT US](#).

Customer Support

Find Kontron contacts by visiting Kontron Support: <https://www.kontron.com/en/support-and-services>.

Customer Service

As a trusted technology innovator and global solutions provider, Kontron extends its embedded market strengths into a services portfolio allowing companies to break the barriers of traditional product lifecycles. Proven product expertise coupled with collaborative and highly-experienced support enables Kontron to provide exceptional peace of mind to build and maintain successful products.

For more details on Kontron's service offerings such as: enhanced repair services, extended warranty, Kontron training academy, and more visit <https://www.kontron.com/en/support-and-services>.

Customer Comments

If you have any difficulties using this user guide, discover an error, or just want to provide some feedback, contact [Kontron Support](#). Detail any errors you find. We will correct the errors or problems as soon as possible and post the revised user guide on our website.

Symbols

The following symbols may be used in this user guide

DANGER

DANGER indicates a hazardous situation which, if not avoided, will result in death or serious injury.

WARNING

WARNING indicates a hazardous situation which, if not avoided, could result in death or serious injury.

NOTICE

NOTICE indicates a property damage message.

CAUTION

CAUTION indicates a hazardous situation which, if not avoided, may result in minor or moderate injury.



Electric Shock!

This symbol and title warn of hazards due to electrical shocks (> 60 V) when touching products or parts of products. Failure to observe the precautions indicated and/or prescribed by the law may endanger your life/health and/or result in damage to your material.



ESD Sensitive Device!

This symbol and title inform that the electronic boards and their components are sensitive to static electricity. Care must therefore be taken during all handling operations and inspections of this product in order to ensure product integrity at all times.



HOT Surface!

Do NOT touch! Allow to cool before servicing.



Laser!

This symbol informs of the risk of exposure to laser beam and light emitting devices (LEDs) from an electrical device. Eye protection per manufacturer notice shall review before servicing.



This symbol indicates general information about the product and the user guide.

This symbol also indicates detail information about the specific product configuration.



This symbol precedes helpful hints and tips for daily use.

For Your Safety

Your new Kontron product was developed and tested carefully to provide all features necessary to ensure its compliance with electrical safety requirements. It was also designed for a long fault-free life. However, the life expectancy of your product can be drastically reduced by improper treatment during unpacking and installation. Therefore, in the interest of your own safety and of the correct operation of your new Kontron product, you are requested to conform with the following guidelines.

High Voltage Safety Instructions

As a precaution and in case of danger, the power connector must be easily accessible. The power connector is the product's main disconnect device.

⚠ CAUTION

Warning

All operations on this product must be carried out by sufficiently skilled personnel only.

⚠ CAUTION



Electric Shock!

Before installing a non hot-swappable Kontron product into a system always ensure that your mains power is switched off. This also applies to the installation of piggybacks. Serious electrical shock hazards can exist during all installation, repair, and maintenance operations on this product. Therefore, always unplug the power cable and any other cables which provide external voltages before performing any work on this product.

Earth ground connection to vehicle's chassis or a central grounding point shall remain connected. The earth ground cable shall be the last cable to be disconnected or the first cable to be connected when performing installation or removal procedures on this product.

Special Handling and Unpacking Instruction

NOTICE



ESD Sensitive Device!

Electronic boards and their components are sensitive to static electricity. Therefore, care must be taken during all handling operations and inspections of this product, in order to ensure product integrity at all times.

Do not handle this product out of its protective enclosure while it is not used for operational purposes unless it is otherwise protected.

Whenever possible, unpack or pack this product only at EOS/ESD safe work stations. Where a safe work station is not guaranteed, it is important for the user to be electrically discharged before touching the product with his/her hands or tools. This is most easily done by touching a metal part of your system housing.

It is particularly important to observe standard anti-static precautions when changing piggybacks, ROM devices, jumper settings etc. If the product contains batteries for RTC or memory backup, ensure that the product is not placed on conductive surfaces, including anti-static plastics or sponges. They can cause short circuits and damage the batteries or conductive circuits on the product.

Lithium Battery Precautions

If your product is equipped with a lithium battery, take the following precautions when replacing the battery.

▲ CAUTION

Danger of explosion if the battery is replaced incorrectly.

- ▶ Replace only with same or equivalent battery type recommended by the manufacturer.
 - ▶ Dispose of used batteries according to the manufacturer's instructions.
-

General Instructions on Usage

In order to maintain Kontron's product warranty, this product must not be altered or modified in any way. Changes or modifications to the product, that are not explicitly approved by Kontron and described in this user guide or received from Kontron Support as a special handling instruction, will void your warranty.

This product should only be installed in or connected to systems that fulfill all necessary technical and specific environmental requirements. This also applies to the operational temperature range of the specific board version that must not be exceeded. If batteries are present, their temperature restrictions must be taken into account.

In performing all necessary installation and application operations, only follow the instructions supplied by the present user guide.

Keep all the original packaging material for future storage or warranty shipments. If it is necessary to store or ship the product then re-pack it in the same manner as it was delivered.

Special care is necessary when handling or unpacking the product. See Special Handling and Unpacking Instruction.

Quality and Environmental Management

Kontron aims to deliver reliable high-end products designed and built for quality, and aims to complying with environmental laws, regulations, and other environmentally oriented requirements. For more information regarding Kontron's quality and environmental responsibilities, visit <http://www.kontron.com/about-kontron/corporate-responsibility/quality-management>.

Disposal and Recycling

Kontron's products are manufactured to satisfy environmental protection requirements where possible. Many of the components used are capable of being recycled. Final disposal of this product after its service life must be accomplished in accordance with applicable country, state, or local laws or regulations.

WEEE Compliance

The Waste Electrical and Electronic Equipment (WEEE) Directive aims to:

- ▶ Reduce waste arising from electrical and electronic equipment (EEE)
- ▶ Make producers of EEE responsible for the environmental impact of their products, especially when the product become waste
- ▶ Encourage separate collection and subsequent treatment, reuse, recovery, recycling and sound environmental disposal of EEE
- ▶ Improve the environmental performance of all those involved during the lifecycle of EEE



Environmental protection is a high priority with Kontron.

Kontron follows the WEEE directive

You are encouraged to return our products for proper disposal.

Table of Contents

Symbols	6
For Your Safety	7
High Voltage Safety Instructions	7
Special Handling and Unpacking Instruction	7
Lithium Battery Precautions	8
General Instructions on Usage	8
Quality and Environmental Management	8
Disposal and Recycling	8
WEEE Compliance	8
Table of Contents	9
List of Tables	11
List of Figures	13
1/ Introduction	14
1.1. Product Description	14
1.2. Product Naming Clarification	15
1.3. COM Express® Documentation	15
1.4. COM Express® Functionality	15
1.5. COM Express® Benefits	16
2/ Product Specification	17
2.1. Module Variants	17
2.1.1. Commercial Grade Modules (0°C to +60°C)	17
2.1.2. Extended Temperature Grade Modules (E1, -25°C to 75°C)	17
2.1.3. E2 Modules (E2, -40°C to +85°C)	18
2.2. Accessories	18
2.3. Functional Specification	20
2.3.1. Technical Data	20
2.3.2. Block Diagram	21
2.3.3. Front View	22
2.3.4. Rear View	23
2.3.5. Processors	24
2.3.6. System Memory	26
2.3.7. Graphics	26
2.3.8. HD Audio	28
2.3.9. General Purpose PCI Express 3.0	28
2.3.10. PCI Express Reference Clock	29
2.3.11. Universal Serial Bus (USB)	29
2.3.12. SATA 3.0	30
2.3.13. Gigabit Ethernet	30
2.3.14. Storage	30
2.3.15. COMe Features	30
2.3.16. Kontron Features	31
2.3.17. LPC	31
2.3.18. I2C Bus	31
2.3.19. SMBus	32
2.3.20. Wake Signals	32
2.3.21. Suspend Control	33
2.3.22. Power Good (PWR_OK)	33

2.3.23. Carrier Board Reset (CB_RESET#)	33
2.3.24. System Reset (SYS_RESET#)	33
2.3.25. Power Button (PWRBTN#)	33
2.3.26. Batlow	33
2.3.27. LID Switch (LID#)	34
2.3.28. Sleep Button (SLEEP#)	34
2.3.29. External SPI/GSPI Support	34
2.3.30. Speaker Out (SPKR).....	35
2.3.31. Watchdog Timeout (WDT).....	35
2.3.32. General Purpose IOs	35
2.3.33. External Fan support.....	35
2.3.34. UART Serial Ports	36
2.3.35. Hardware Monitor (HWM)	36
2.3.36. Trusted Platform Module (TPM)	36
2.3.37. Embedded Controller (CPLD)	36
2.3.38. SPI BIOS Memory	36
2.4. Electrical Specification	37
2.4.1. Power Supply Specifications	37
2.4.2. Power Management	38
2.4.3. Power Supply Control Settings	38
2.4.4. Power Supply Modes.....	39
2.4.5. Single Supply Mode.....	40
2.5. Thermal Management	41
2.5.1. Heatspreader and Active or Passive Cooling Solutions	41
2.5.2. Active or Passive Cooling Solutions	41
2.5.3. Operating with Kontron Heatspreader Plate (HSP) Assembly.....	41
2.5.4. Operating without Kontron Heatspreader Plate (HSP) Assembly.....	41
2.5.5. Temperature Sensors	42
2.5.6. Onboard Fan Connector	43
2.6. Environmental Specification.....	44
2.7. Compliance	44
2.7.1. MTBF	45
2.8. Mechanical Specification.....	47
2.8.1. Dimensions	47
2.8.2. Height.....	48
2.8.3. Heatspreader Dimension	48
3/ Features and Interfaces	49
3.1. Fast I2C	49
3.2. GPIO	49
3.3. Kontron Security Solution.....	49
3.4. LPC.....	49
3.5. Real Time Clock (RTC)	50
3.6. Serial Peripheral Interface (SPI).....	50
3.6.1. SPI Boot.....	50
3.7. Trusted Platform Module (TPM 2.0)	51
3.8. UART	51
3.9. Watchdog Timer (WTD) Dual Stage	51
3.9.1. WDT Signal.....	52
4/ System Resources.....	53

4.1. I2C Bus	53
4.2. System Management (SM) Bus	53
5/ COMe Interface Connectors (X1A and X1B)	54
5.1. Connecting COMe Interface Connector to Carrier Board	54
5.2. X1A and X1B Signals	55
5.3. X1A and X1B Pin Assignment	55
5.3.1. Connector X1A Row A1 – A110	56
5.3.2. Connector X1A Row B 1 - B 110	60
5.3.3. Connector X1B Row C 1 - C 110	64
5.3.4. Connector X1B Row D 1 - D 110	67
5.4. Bootstrap Signals	70
6/ UEFI BIOS	71
6.1. Starting the UEFI BIOS	71
6.2. The UEFI Shell	72
6.2.1. Basic Operation of the UEFI Shell	72
6.3. UEFI Shell Scripting	73
6.3.1. Startup Scripting	73
6.3.2. Create a Startup Script	73
6.3.3. Examples of Startup Scripts	73
6.4. Setup Menus	73
6.4.1. Main Setup Menu	74
6.4.2. Advanced Setup Menu	76
6.4.3. Chipset Menu	88
6.4.4. Security Setup Menu	97
6.4.5. Boot Menu	99
6.4.6. Save and Exit Setup Menu	100
7/ Technical Support	101
7.1. Warranty	101
7.2. Returning Defective Merchandise	102
List of Acronyms	103
About Kontron	105

List of Tables

Table 1: IOs of Type 6 and COMe-cTL6	15
Table 2: Commercial Grade Modules (0°C to +60°C)	17
Table 3: E2 Modules (E2, -40°C to +85°C operating)	18
Table 4: Product Accessories	18
Table 5: COMe Type 6 Specific Accessories	18
Table 6: General Accessories	19
Table 7: Memory	19
Table 8: Technical Data	20
Table 9: 11th Generation Intel® Processor Specifications	25
Table 10: System Memory	26
Table 11: Display Resolution	26
Table 12: Display Interfaces	27
Table 13: DDI1 Interfaces	27
Table 14: DDI2 Interfaces	27
Table 15: DDI3 Interfaces	27
Table 16: LVDS Bridge	28
Table 17: Audio	28

Table 18: General Purpose PCI Express 3.0.....	28
Table 19: PCI Express Graphics 4.0 (PEG).....	29
Table 20: PCI Express Reference Clock.....	29
Table 21: USB.....	29
Table 22: USB Overcurrent.....	29
Table 23: SATA.....	30
Table 24: Ethernet.....	30
Table 25: COM Features.....	30
Table 26: Kontron Features.....	31
Table 27: LPC.....	31
Table 28: External user-accessible I2C (I2C_EXT).....	31
Table 29: Internal I2C (I2C_INT).....	32
Table 30: SMBus.....	32
Table 31: SMB Alert.....	32
Table 32: Wake Signals.....	32
Table 33: Suspend Control.....	33
Table 34: Carrier Board Reset (CB_RESET#).....	33
Table 35: System Reset (SYS_RESET#).....	33
Table 36: Power Button (PWRBTN#).....	33
Table 37: Batlow.....	33
Table 38: LID Switch (LID#).....	34
Table 39: Sleep Button (SLEEP#).....	34
Table 40: External SPI/GSPI Support.....	34
Table 41: External BIOS ROM Support.....	34
Table 42: Speaker Out (SPKR).....	35
Table 43: Watchdog Timeout (WDT).....	35
Table 44: General Purpose IOs.....	35
Table 45: External Fan Control.....	35
Table 46: UART Serial Ports.....	36
Table 47: Power Supply Control Settings.....	38
Table 48: ATX mode settings.....	39
Table 49: Single Supply Mode Settings.....	40
Table 50: Heatspreader Test Temperature Specifications.....	41
Table 51: Onboard Fan Connector.....	43
Table 52: Standards Compliance.....	44
Table 53: MTBF.....	45
Table 54: Supported BIOS Features.....	50
Table 55: SPI Boot Pin Configuration.....	50
Table 56: Supported SPI Boot Flash.....	51
Table 57: Dual Stage Watchdog Timer- Time-out Events.....	52
Table 58: I2C Bus Port Address.....	53
Table 59: SMBus Address.....	53
Table 60: General Signal Description.....	55
Table 61: Connector X1A Row A Pin Assignment (A1- A110).....	56
Table 62: Connector X1A Row B Pin Assignment (B1-B110).....	60
Table 63: Connector X1B Row C Pin Assignment (C1-C110).....	64
Table 64: Connector X1B Row D Pin Assignment (D1-D110).....	67
Table 65: Bootstrap Signals.....	70
Table 66: Navigation Hot Keys Available in the Legend Bar.....	71
Table 67: Main Setup Menu Sub-screens.....	74
Table 68: Advanced Setup menu Sub-screens and Functions.....	76
Table 69: Chipset menu Sub-screens and Functions.....	89
Table 70: Chipset PCH-IO Configuration.....	93
Table 71: Security Setup Menu Functions.....	97
Table 72: Boot Menu Functions.....	99
Table 73: Save and Exit Setup Menu Functions.....	100

Table 74: List of Acronyms.....	103
---------------------------------	-----

List of Figures

Figure 1: COMe-cTL6.....	14
Figure 2: Block Diagram COMe-cTL6.....	21
Figure 3: Front View COMe-cTL6.....	22
Figure 4: Rear View COMe-cTL6.....	23
Figure 5: Block Diagram 11th Generation processor (Source: Intel).....	24
Figure 6: Temperature Sensor #1 Location: CPU.....	42
Figure 7: Temperature Sensor #2 Location: HW-Monitor.....	42
Figure 8: Fan Connector 3-Pin.....	43
Figure 9: MTBF De-rating Values (Reliability report article number 36030-0000-18-2).....	45
Figure 10: MTBF De-rating Values (Reliability report article number 36031-1600-18-7).....	46
Figure 11: Module Dimensions.....	47
Figure 12: Module Height.....	48
Figure 13: Heatspreader Location and Dimensions.....	48
Figure 14: X1A and X1B COMe Interface Connectors.....	54
Figure 15: Main Setup Menu.....	74
Figure 16: Advanced Setup Menu.....	76
Figure 17: Chipset Menu Initial Screen.....	88
Figure 18: Chipset> System Agent (SA) Configuration Setup Menu Initial Screen.....	89
Figure 19: Chipset PCH-IO Configuration Setup menu Initial Screen.....	93
Figure 20: Security Setup Menu Initial Screen.....	97
Figure 21: Boot Screen.....	99
Figure 22: Save and Exit Setup Menu Initial Screen.....	100

1/ Introduction

1.1. Product Description

The COMe-cTL6 (E2) deliver high-performance, feature-rich Computer-on-Modules based on the standardized COM Express® compact form factor and Intel's single package BGA1449 System-on-Chip (SoC). The SoCs are containing Intel® 11th Generation Core™/Celeron family. Through the use of COM Express connectors, the COMe-cTL6 is easily exchangeable and offers the most flexibility for customers designing it into their embedded devices based on individual carrier boards.

The Kontron COMe-cTL6 (E2) modules allow up to 48 GB of DDR4 memory. The board is also suited for harsh operating conditions in industrial environments. For example, rugged modules are available that can be used within a temperature range from -40°C to +85°C. The option with a soldered main memory (memory down) of up to 16 GB DDR4 ensures even more robustness.

The COMe-cTL6 is ideally suited as a powerful successor for existing solutions, as it takes over their pin assignment and feature implementation. Typical applications include communication, digital signage, professional gaming and entertainment, medical imaging, surveillance and security, industrial edge computing as well as industrial plant-, machine- and robot-control at the shop floor level and from the control room.

Basic COMe-cTL6 features are:

- ▶ Dual/Quad -Core CPU on COM Express® compact form factor (Pin-out Type 6 compliant)
- ▶ Based on 11th Gen Intel® Core™ technology
- ▶ Up to 48 GB DDR4 non-ECC memory via 1x SO-DIMM socket (for up to 32 GB memory modules) + up to 16 GB non-ECC memory down (on 2nd channel, optional)
- ▶ Intel® Iris®Xe Graphics with up to four independent display support with 4K resolutions (up to 8K)
- ▶ LVDS/eDP support
- ▶ Up to 2.5Gb Ethernet, TSN support, WOL support
- ▶ SATA 6 Gb/s & USB 3.1 Gen2 support
- ▶ Support for Audio and common features (SPI, LPC, SMB)
- ▶ TPM support
- ▶ Optional vPro support
- ▶ Optional NVMe SSD onboard
- ▶ E2 versions for industrial grade temp. range (-40°C up to +85°C)

Figure 1: COMe-cTL6



1.2. Product Naming Clarification

COM Express® defines a Computer-On-Module, or COM, with all the components necessary for a bootable host computer, packaged as a super component. The product names for Kontron COM Express® Computer-on-Modules consist of:

- ▶ Short form of the industry standard
 - ▶ COMe-cTL6
- ▶ Module form factor
 - ▶ b=basic (125 mm x 95 mm)
 - ▶ c=compact (95mm x 95 mm)
 - ▶ m=mini (84 mm x 55 mm)
- ▶ Processor code name
 - ▶ TL = Tiger Lake
- ▶ Pinout type
 - ▶ Type 6
- ▶ Available temperature variants
 - ▶ Extended (E1)
 - ▶ Industrial by design (E2)
- ▶ Processor Identifier
- ▶ Chipset identifier (if chipset assembled)
- ▶ Memory size
 - ▶ Memory Down

1.3. COM Express® Documentation

The COM Express® specification defines the COM Express® module form factor, pinout and signals. The COM Express document is available at the PICMG® website.

1.4. COM Express® Functionality

All Kontron COM Express® basic and compact modules contain two 220-pin connectors. Each connector has two rows called Row A & B on primary connector and Row C & D on secondary connector. COM Express® Computer-On-Modules feature the following maximum amount of interfaces according to the PICMG module pinout type:

Table 1: IOs of Type 6 and COMe-cTL6

Feature	Type 6 Pinout	COMe-cTL6 Pinout
HD Audio	1x	1x
Gb Ethernet	1x	1x
Serial ATA	4x	2x
PCI Express x 1	8x	5x PCIe 3.0 (On request: 6x without Ethernet, up to 8x without Ethernet & SATA)
PCI Express x16 (PEG)	1x	4x PCIe 3.0 on PEG Lanes #0-3
USB	4x USB 3.0 (incl. USB 2.0) + 4x USB 2.0	4x USB 3.1 Gen 2 (Incl. USB 2.0) + 4x USB 2.0 Corresponding USB ports are configured to USB 3.1

Feature	Type 6 Pinout	COMe-cTL6 Pinout
		Gen1 by default as support depends on appropriate carrier board design
VGA	1x	1x (optional)
LVDS	Dual Channel	Dual Channel LVDS with option to overlay with embedded Display port (eDP)
DP++ (eDP/DP/HDMI/DVI/VGA)	3x	3x
LPC	1x	1x
External SMB	1x	1x
External I2C	1x	1x
GPIO	8x	8x
SDIO shared w/GPIO	1x optional	1x optional
UART (2-wire COM)	2x	2x
Fan PWM out	1x	1x

1.5. COM Express® Benefits

COM Express® defines a Computer-On-Module, or COM, with all the components necessary for a bootable host computer, packaged as a highly integrated computer. All Kontron COM Express® modules are very compact and feature a standardized form factor and a standardized connector layout that carry a specified set of signals. Each COM is based on the COM Express® specification. This standardization allows designers to create a single-system baseboard that can accept present and future COM Express® modules.

The baseboard designer can optimize exactly how each of these functions implements physically. Designers can place connectors precisely where needed for the application, on a baseboard optimally designed to fit a system's packaging.

A single baseboard design can use a range of COM Express® modules with different sizes and pinouts. This flexibility differentiates products at various price and performance points and provides a built-in upgrade path when designing future-proof systems. The modularity of a COM Express® solution also ensures against obsolescence when computer technology evolves. A properly designed COM Express® baseboard can work with several successive generations of COM Express® modules.

A COM Express® baseboard design has many advantages of a customized computer-board design and, additionally, delivers better obsolescence protection, heavily reduced engineering effort, and faster time to market.

2/ Product Specification

2.1. Module Variants

The COMe-cTL6 is available in different processor and temperature variants to cover demands in performance, price and power.

2.1.1. Commercial Grade Modules (0°C to +60°C)

Commercial Grade Modules (0°C to +60°C) are available as a standard product number.

Table 2: Commercial Grade Modules (0°C to +60°C)

Product Number	Product Name	Description
36030-1610-18-7	COMe-cTL6 i7-1185G7E 16 GB/1 TB	COM Express® compact pin-out type 6 Computer-on-Module with Intel® Core™ i7-1185G7E, 4x 1.8 GHz, 16 GB memory down, DDR4 SO DIMM Socket, 1024 GB NVMe
36030-1600-18-7	COMe-cTL6 i7-1185G7E 16 GB	COM Express® compact pin-out type 6 Computer-on-Module with Intel® Core™ i7-1185G7E, 4x 1.8 GHz, 16 GB memory down, DDR4 SO DIMM Socket
36030-0000-18-7	COMe-cTL6 i7-1185G7E	COM Express® compact pin-out type 6 Computer-on-Module with Intel® Core™ i7-1185G7E, 4x 1.8 GHz, DDR4 SO DIMM Socket
36030-8000-15-5	COMe-cTL6 i5-1145G7E 8 GB	COM Express® compact pin-out type 6 Computer-on-Module with Intel® Core™ i5-1145G7E, 4x 1.5 GHz, 8 GB memory down, DDR4 SO DIMM Socket
36030-0000-15-5	COMe-cTL6 i5-1145G7E	COM Express® compact pin-out type 6 Computer-on-Module with Intel® Core™ i5-1145G7E, 4x 1.5 GHz, DDR4 SO DIMM Socket
36030-0000-22-3	COMe-cTL6 i3-1115G4E	COM Express® compact pin-out type 6 Computer-on-Module with Intel® Core™ i3-1115G4E, 2x 2.2 GHz, DDR4 SO DIMM Socket
36030-0000-18-2	COMe-cTL6 6305E	COM Express® compact pin-out type 6 Computer-on-Module with Intel® Celeron® 6305E, 2x 1.8 GHz, DDR4 SO DIMM Socket

2.1.2. Extended Temperature Grade Modules (E1, -25°C to 75°C)

Extended Temperature grade modules (E1, -25°C to 75°C) are available as a standard product number, on request. For further information, contact your local Kontron sales representative or Kontron Inside Sales.

2.1.3. E2 Modules (E2, -40°C to +85°C)

The following table provides a list of E2 modules available for E2 temperature grade (-40°C to +85°C) by design.

Table 3: E2 Modules (E2, -40°C to +85°C operating)

Product Number	Product Name	Description
36031-1600-18-7	COMe-cTL6 E2 i7-1185GRE 16 GB	COM Express® compact pin-out type 6 Computer-on-Module with Intel® Core™ i7-1185GRE, 4x 1.8 GHz, 16 GB memory down, DDR4 SO DIMM Socket, industrial temperature grade
36031-8000-15-5	COMe-cTL6 E2 i5-1145GRE 8 GB	COM Express® compact pin-out type 6 Computer-on-Module with Intel® Core™ i5-1145GRE, 4x 1.5 GHz, 8 GB memory down, DDR4 SO DIMM Socket, industrial temperature grade
36031-0000-22-3	COMe-cTL6 E2 i3-1115GRE	COM Express® compact pin-out type 6 Computer-on-Module with Intel® Core™ i3-1115GRE, 2x 2.2 GHz, DDR4 SO DIMM Socket, industrial temperature grade

2.2. Accessories

Accessories are either COMe-cTL6 product specific, COMe Type 6 specific or general accessories.

Table 4: Product Accessories

Part Number	Heatspreader (validated ref.types)	Description
36030-0000-99-0	HSP COMe-cTL6 Cu-core threaded	Heatspreader for COMe-cTL6, Cu-core, threaded mounting holes
36030-0000-99-1	HSP COMe-cTL6 Cu-core through	Heatspreader for COMe-cTL6, Cu-core, through mounting holes

Table 5: COMe Type 6 Specific Accessories

Part Number	COMe Carrier	Project Code	Comment
38115-0000-00-x	COM Express® Reference Carrier-i Type 6	ADTI	Thin-mITX Carrier with 5 mm COMe connector
38116-0000-00-5	COM Express® Eval Carrier2 Type 6	ADT6	ATX Carrier with 5 mm COMe connector
Part Number	COMe Adapter/Card	Project Code	Comment
96007-0000-00-3	ADA-PCIe-DP	APDP	PCIe x16 to DP Adapter for Evaluation Carrier
96007-0000-00-7	ADA-Type6-DP3	DVO6	(sandwich) Adapter Card for 3x DisplayPort
38019-0000-00-0	ADA-COMe-Height-dual	EERC	Height Adapter

Table 6: General Accessories

Part Number	Cooling Solutions	Comments
36099-0000-99-4	COMe Active Uni Cooler2 (w/o HSP)	COM Express® Universal Active Cooler for Heatspreader Mounting (95x95x14.3) - 90° turnable
36099-0000-99-5	COMe Passive Uni Cooler2 (w/o HSP)	COM Express® Universal Passive Cooler for Heatspreader Mounting (95x95x14.3) - 90° turnable
Part Number	Mounting	Comments
38017-0000-00-5	COMe Mount KIT 5 mm 1 set	Mount. Kit for 1 module + screws for 5 mm conn.
38017-0100-00-5	COMe Mount KIT 5 mm 100 sets	Mount. Kit for 100 module + screws for 5 mm conn.
38017-0000-00-0	COMe Mount KIT 8 mm 1 set	Mount. Kit for 1 module + screws for 8 mm conn.
38017-0100-00-0	COMe Mount KIT 8 mm 100 sets	Mount. Kit for 100 module + screws for 8 mm conn.
Part Number	Display Adapter	Comment
96006-0000-00-8	ADA-DP-LVDS	DP to LVDS adapter
96082-0000-00-0	KAB-ADAPT-DP-DVI	DP to DVI adapter cable
96083-0000-00-0	KAB-ADAPT-DP-VGA	DP to VGA adapter cable
96084-0000-00-0	KAB-ADAPT-DP-HDMI	DP to HDMI adapter cable
Part Number	Cables	Comment
96079-0000-00-0	KAB-HSP 200mm	Cable adapter to connect FAN to module (COMe basic/compact)
96079-0000-00-2	KAB-HSP 40 mm	Cable adapter to connect FAN to module (COMe basic/compact)

Table 7: Memory

Part Number	Memory	Description
97020-3232-CTL6	DDR4-3200 SODIMM 32GB_CTL6	Memory for Computer-on-Module COMe-cTL6; min. specification: DDR4-3200, 32 GB, 260P, 1600 MHz, PC4-3200 SODIMM; validated for: COMe-cTL6
97020-1632-CTL6	DDR4-3200 SODIMM 16GB_CTL6	Memory for Computer-on-Module COMe-cTL6; min. specification: DDR4-3200, 16 GB, 260P, 1600 MHz, PC4-3200 SODIMM; validated for: COMe-cTL6
97020-0832-CTL6	DDR4-3200 SODIMM 8GB_CTL6	Memory for Computer-on-Module COMe-cTL6; min. specification: DDR4-3200, 8 GB, 260P, 1600 MHz, PC4-3200 SODIMM; validated for: COMe-cTL6
97020-0432-CTL6	DDR4-3200 SODIMM 4GB_CTL6	Memory for Computer-on-Module COMe-cTL6; min. specification: DDR4-3200, 4 GB, 260P, 1600 MHz, PC4-3200 SODIMM; validated for: COMe-cTL6
97021-3232-CTL6	DDR4-3200 SODIMM 32GB E2_CTL6	Memory for Computer-on-Module COMe-cTL6; min. specification: DDR4-3200, 32 GB, 260P, 1600 MHz, PC4-3200 SODIMM; validated for: COMe-cTL6 E2
97021-1632-CTL6	DDR4-3200 SODIMM 16GB E2_CTL6	Memory for Computer-on-Module COMe-cTL6; min. specification: DDR4-3200, 16 GB, 260P, 1600 MHz, PC4-3200 SODIMM; validated for: COMe-cTL6 E2
97021-0832-CTL6	DDR4-3200 SODIMM 8GB E2_CTL6	Memory for Computer-on-Module COMe-cTL6; min. specification: DDR4-3200, 8 GB, 260P, 1600 MHz, PC4-3200 SODIMM; validated for: COMe-cTL6 E2
97021-0432-CTL6	DDR4-3200 SODIMM 4GB E2_CTL6	Memory for Computer-on-Module COMe-cTL6; min. specification: DDR4-3200, 4 GB, 260P, 1600 MHz, PC4-3200 SODIMM; validated for: COMe-cTL6 E2

2.3. Functional Specification

2.3.1. Technical Data

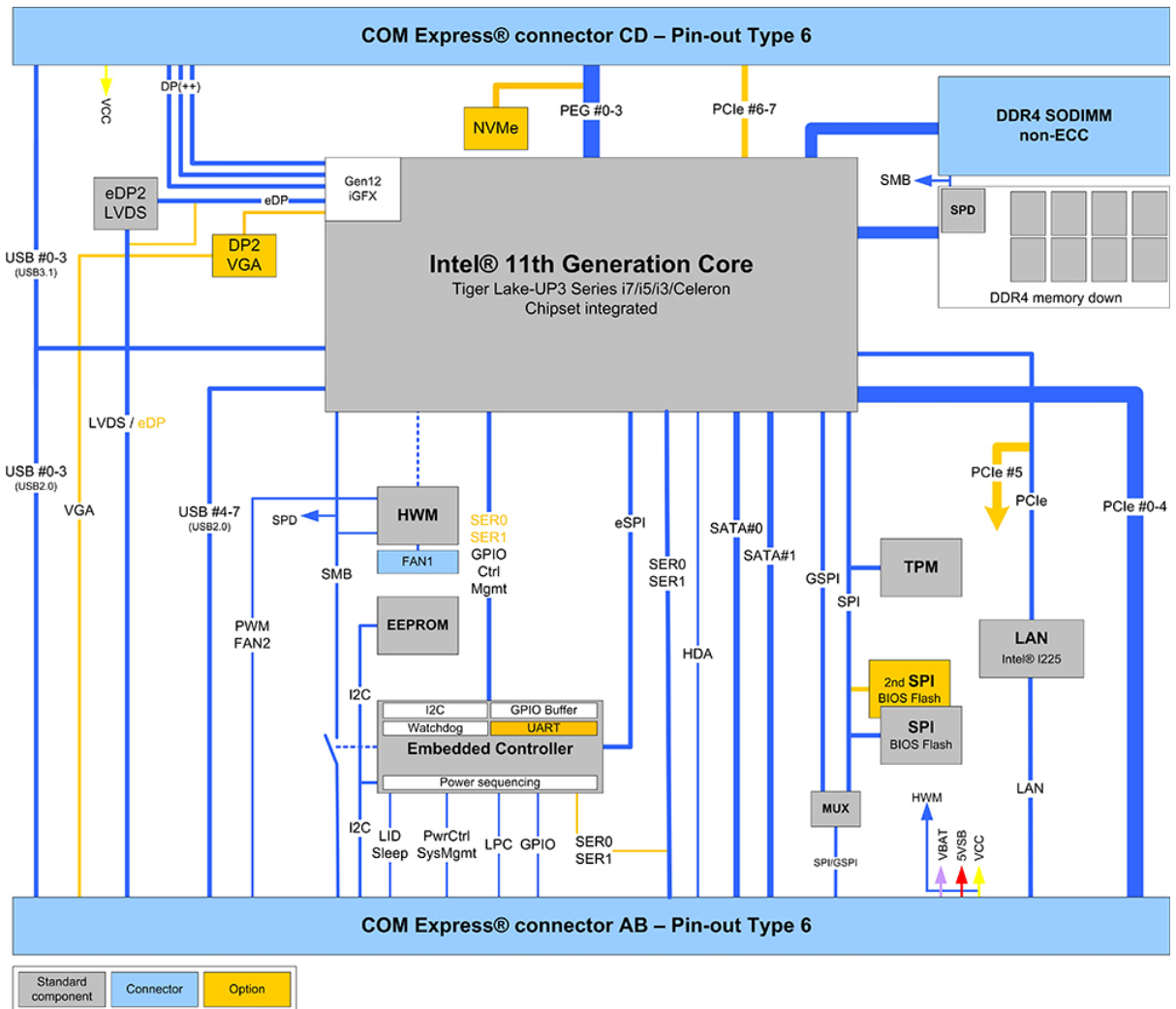
Table 8: Technical Data

Function	Definition
Compliance	COM Express® compact, Pin-out Type 6
Dimensions (H X W)	95mm x 95 mm
CPUs	Intel 11th generation processors: i7-1185G7E i5-1145G7E i3-1115G4E 6305E i7-1185GRE i5-1145GRE i3-1115GRE
Main Memory	1x DDR4 SO-DIMM up to 32 GByte 2nd channel DDR4 memory down up to 16 GByte
Graphics Controller	Intel® Iris®Xe Graphics on i7/i5 processors Intel® UHD Graphics on i3/Celeron® processors
Graphic Interfaces	3x DP++, LVDS
Ethernet Controller	Intel® I225LM/I225IT
Ethernet	Up to 2.5 Gb Ethernet with TSN support (depending on SKU)
Storage	2x SATA 6 Gb/s, up to 1 TByte NVMe SSD (on request)
PCI Express	5x PCIe 3.0 (On request: 6x without Ethernet, up to 8x without Ethernet & SATA), 1x4 PCIe 4.0 on PEG Lanes #0-3
USB	4x USB 3.1 (incl. USB 2.0) + 4x USB 2.0
Serial	2x serial interface (RX/TX only)
Audio	High Definition Audio interface
Other Features	(G)SPI, LPC, SMB, Fast I ² C, Staged Watchdog, RTC
Special Features	POSCAP capacitors, Trusted Platform Module TPM 2.0
Features on Request	vPRO (AMT/TXT/AES Support), eDP instead of LVDS, VGA, up to 3x PCIe x1 additional w/o Ethernet & SATA, NVMe SSD, Fail Safe via 2nd SPI Flash
BIOS	AMI Aptio V
Power Management	ACPI 6.0
Power Supply	8.5 V – 20 V Wide Range, Single Supply Power
Operating Systems	Windows®10, Linux, VxWorks
Temperature	Commercial temperature: 0 °C to +60 °C operating, -30 °C to +85 °C non-operating, Extended temperature: -25 °C to +75 °C operating, -30 °C to +85 °C non-operating, Industrial temperature: -40 °C to +85 °C operating, -40 °C to +85 °C non-operating
Humidity	93 % relative Humidity at 40 °C, non-condensing (according to IEC 60068-2-78)

2.3.2. Block Diagram

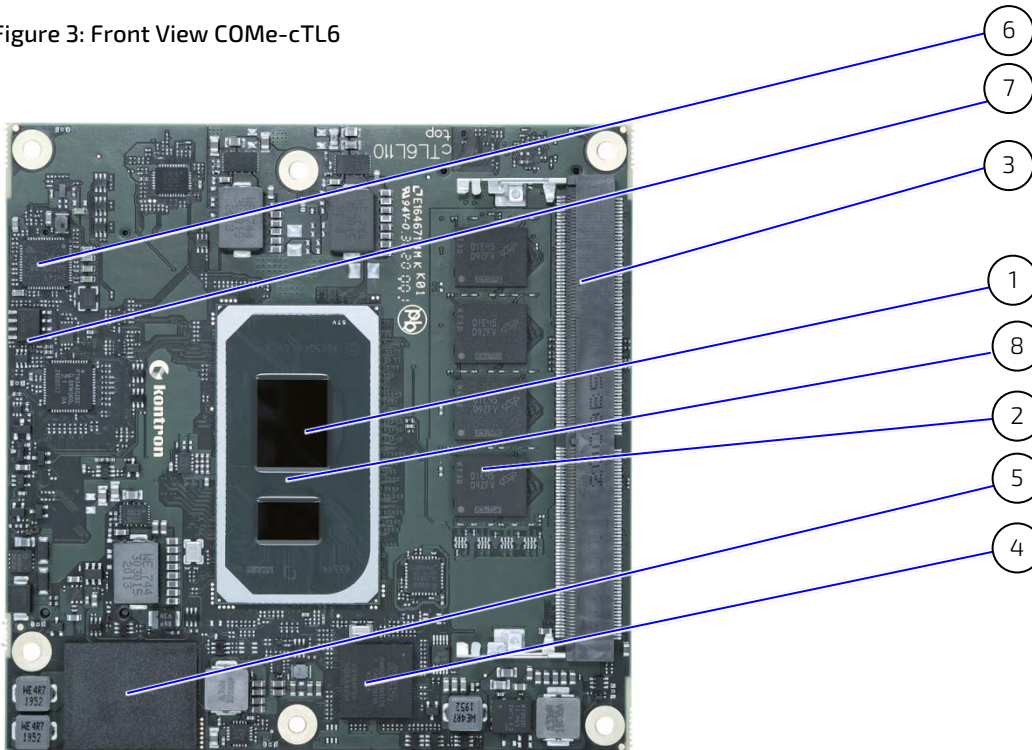
The following figure displays the system block diagram applicable to all COMe-cTL6 modules.

Figure 2: Block Diagram COMe-cTL6



2.3.3. Front View

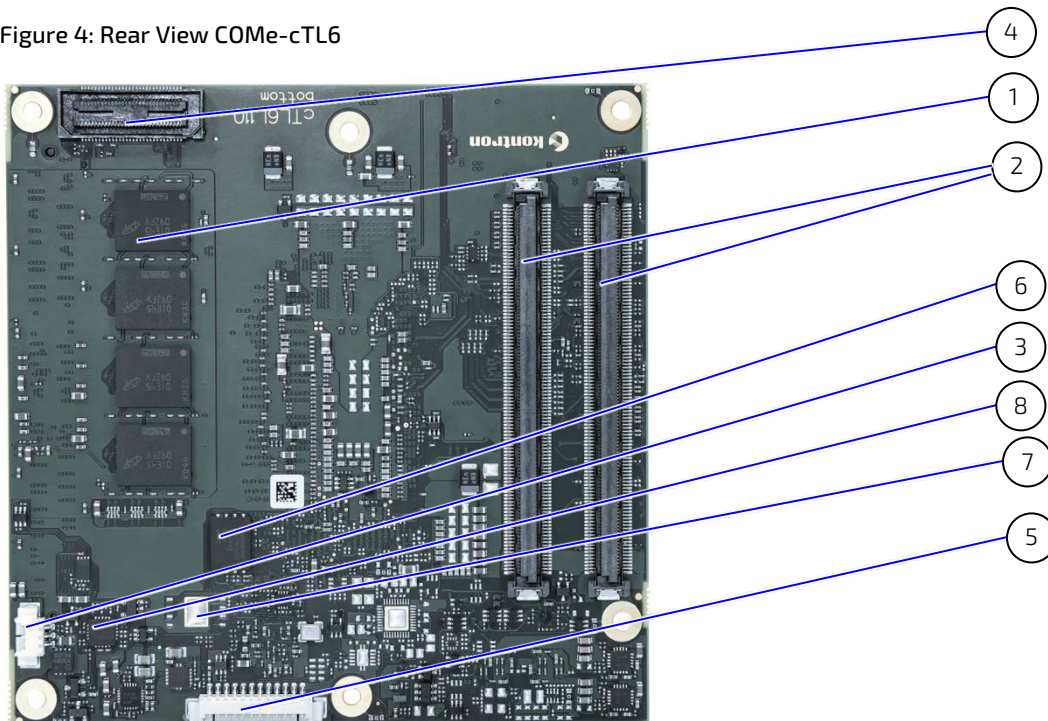
Figure 3: Front View COMe-cTL6



1. SoC Processor
2. DDR4 memory down
3. 1x50-DIMM DDR4 slot
4. Embedded Controller
5. NVME Mass Storage
6. Ethernet MAC/PHY Intel I255
7. eDP-to-LVDS bridge
8. Temp. Sensor #1 CPU

2.3.4. Rear View

Figure 4: Rear View COMe-cTL6

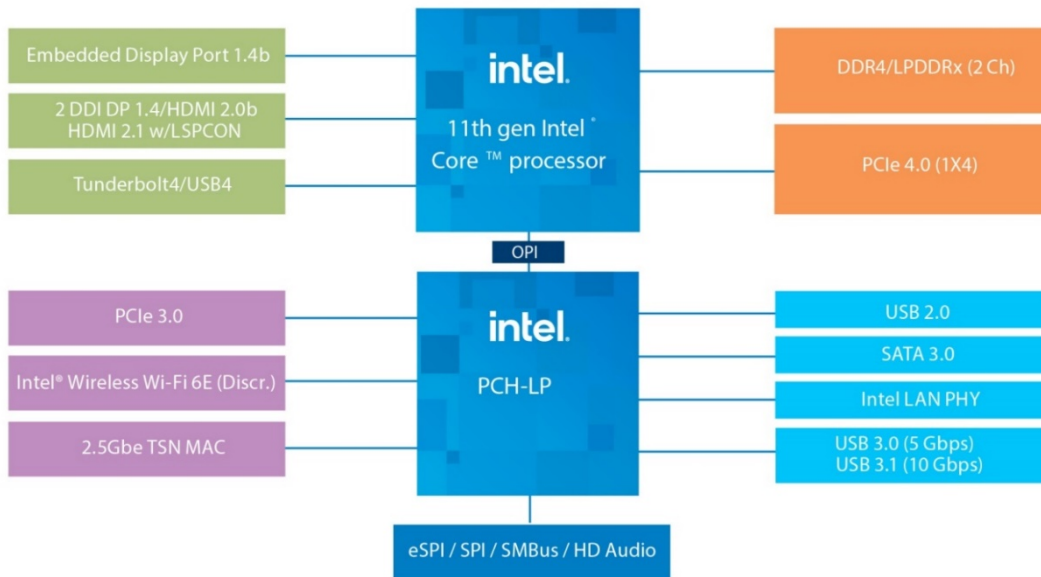


1. DDR4 memory down
2. 2x COMe Connectors
3. Fan Connector
4. XDP Connector (optional)
5. Programming Connector for embedded Controller
6. SPI-Flash
7. Second SPI-Flash (optional)
8. Temp. Sensor #2: HWMON

2.3.5. Processors

The 11th Gen Intel® Core™ processors come in two classes – embedded and industrial – to provide a foundation for durable, long-life equipment. Temperature ranges of the industrial SoC are from -40°C to 100°C and Embedded SoCs have a temperature range from 0° to 100°C.

Figure 5: Block Diagram 11th Generation processor (Source: Intel)



Key Benefits are:

- ▶ Third-generation, Intel® 10 nm microarchitecture, up to four processing cores, up to 96 graphics execution units
- ▶ Supports DDR4 and LPDDR4x, with optional In-Band ECC
- ▶ Configurable 12/15/28 watt thermal design points, in a single SKU
- ▶ Up to 96 graphics execution units, four independent display pipes, capable of up to two channels of 8K60 or four channels of 4K60
- ▶ Up to two VD Boxes process up to 40 1080p 30 fps video streams
- ▶ Integrated MACs to support one 1 GbE port, plus one 2.5 GbE port with Time-Sensitive Networking (on selected SKUs)
- ▶ Gigabit (1.73 Gbps) Wi-Fi, Bluetooth 5
- ▶ Discrete 2.5GbE MAC/PHY LAN, Intel® Ethernet Controller I225LM/IT (code name Foxville)
- ▶ Four Thunderbolt™ 4/USB4 ports
- ▶ Four PCIe 4.0 lanes and 12 PCIe 3.0 lanes

Intel® DTR (Dynamic Temperature Range)

For this processor family the Dynamic Temperature Range (DTR) behavior applies. DTR is the temperature range in which the processor can operate. The temperature range starts with the temperature of the processor (T_j = junction temperature) at boot time and can transition to a lower and/or higher temperature within the T_j min and T_j max limits.



The T_j behavior is described in Intel document #608377 as DTR = Dynamic Temperature Range. For more information, contact [Kontron Support](#).

Table 9: 11th Generation Intel® Processor Specifications

Processor	Core™ i7-1185G7E	Core™ i5-1145G7E	Core™ i3-1115G4E	Celeron® 6305E	Core™ i7-1185GRE	Core™ i5-1145GRE	Core™ i3-1115GRE
# of Cores/ Threads	4/8	4/8	2/4	2	4/8	4/8	2/4
Processor Base/Turbo Frequency	1.8 GHz / 4.4 GHz	1.5 GHz / 4.1 GHz	2.2 GHz / 3.9 GHz	1.8 GHz / - GHz	1.8 GHz / 4.4 GHz	1.5 GHz / 4.1 GHz	2.2 GHz / 3.9 GHz
TDP (nominal) (@ Base frequency)	28 W @ 2.8 GHz	28 W @ 2.6 GHz	28 W @ 3 GHz	15 W	28 W @ 2.8 GHz	28 W @ 2.6 GHz	28 W @ 3 GHz
cTDP-up ^[3]	-	-	-	-	-	-	-
cTDP-down ^[4] (@ Base frequency)	15 W @ 1.8 GHz or 12 W @ 1.2 GHz	15 W @ 1.5 GHz or 12 W @ 1.1 GHz	15 W @ 2.2 GHz or 12 W @ 1.7 GHz	-	15 W @ 1.8 GHz or 12 W @ 1.2 GHz	15 W @ 1.5 GHz or 12 W @ 1.1 GHz	15 W @ 2.2 GHz or 12 W @ 1.7 GHz
Cache	12 MByte	8 MByte	6 MByte	4 MByte	12 MByte	8 MByte	6 MByte
IBECC ^[5]	no	no	no	no	yes	yes	yes
TCC/TSN	no	no	no	no	yes	yes	yes
Graphics/Media/Display	Intel® Iris® Xe Graphics 96 EU 4x4k or 2x8k Displays 2 VDBOX	Intel® Iris® Xe Graphics 80 EU 4x4k or 2x8k Displays 2 VDBOX	Intel® UHD Graphics 48EU 4x4k or 1x8k Displays 1 VDBOX	Intel® UHD Graphics 48 EU 4x Displays	Intel® Iris® Xe Graphics 96 EU 4x4k or 2x8k Displays 2 VDBOX	Intel® Iris® Xe Graphics 80 EU 4x4k or 2x8k Displays 2 VDBOX	Intel® UHD Graphics 48 EU 4x4k or 1x8k Displays 1 VDBOX
Max Memory Size	64 GB	64 GB	64 GB	64 GB	64 GB	64 GB	64 GB
Use Condition	Embedded	Embedded	Embedded	Embedded	Industrial	Industrial	Industrial
Tjunction	Min.	0°C	0°C	0°C	0°C	-40°C	-40°C
	Max.	100°C ^[1]	100°C ^[1]	100°C ^[1]	100°C ^[1]	100°C ^[2]	100°C ^[2]

^[1] Within Tjunction limits the max. temperature range during operation is +/-70°C, starting from boot time temp.

^[2] Within Tjunction limits the max. temperature range during operation is +/-110°C, starting from boot time temp.

^[3] The Implemented Intel® Core™ processors support no Configurable TDP-up (cTDP-up) values.

^[4] The Implemented Intel® Core™ processors support two configurable Configurable TDP-down (cTDP-down) values (15 W or 12 W).

^[5] IBECC disabled by default if required in combination with memory down and SODIMM memory.



The two configurable cTDP-down values enable the nominal TDP and base frequency to be modified within the values specified in Table 9: 11th Generation Intel® Processor Specifications.

2.3.6. System Memory

The system memory supports a dual-channel 64-bit DDR4-3200. ECC memory is not available. One DIMM per channel offer 48 GB total. Following setups are considerable:

- ▶ Channel 1: One SO-DIMM DDR4, max 32 GB non-ECC
- ▶ Channel 2: Memory Down DDR4, max 16 GB non-ECC

Table 10: System Memory

Socket	Dual-channel 64-bit DDR4-3200
Memory Type	DDR4-3200 without ECC
Max Memory Module Size	32 GByte
Bandwidth	up to 25.6 GB/s

In general, memory modules have a much lower longevity than embedded motherboards, and therefore the EOL of the memory modules may occur several times during the lifetime of the module. Kontron guarantees to maintain memory modules by replacing EOL memory module with another qualified similar module.

As a minimum, it is recommended to use Kontron memory modules for prototype system(s) in order to prove the stability of the system and as a reference. In order to qualify the RAM it is recommend to configure three systems running a RAM Stress Test program in a heat chamber at 60°C, for a minimum of 24 hours.



For a list of Kontron memory modules, see Table 7.

2.3.7. Graphics

2.3.7.1. Display Resolution

The following table lists the maximum display resolutions at a set frequency and bit per pixel (bpp) for the supported display interfaces.

Table 11: Display Resolution

Display Interfaces	Maximum Resolution (Pixel)
eDP	4096x2304@60 Hz
DP	7680x4320@60 Hz
HDMI 1.4	4096x2304@60 Hz
4K Support	Yes, at 60 Hz
8K Support	Yes, at 60 Hz

2.3.7.2. Graphics Interfaces

The processor graphics is based on Generation 12 graphics core Architecture. Gen 12 architecture supports up to 96 Execution Units (EUs) depending on the processor SKU.

Table 12: Display Interfaces

TGL Port	COMe Port	
DDIA	LVDS	eDP (option)
TCP0	DDI1 (DP++)	
TCP1	DDI2 (DP++)	
TCP2	DDI3 (DP++)	
TCP3	DP2VGA Converter (optional)	

Table 13: DDI1 Interfaces

COMe Connector	PCH	Description
DDI1_PAIR[0:3]	TCP0_TX[0:3]	
DDI1_PAIR[4:6]	-	
DDI1_CTRLCLK_AUX+	TCP0_AUX_P (CPU) DDP1_CTRLCLK	
DDI1_CTRLDATA_AUX-	TCP0_AUX_N (CPU) DDP1_CTRLDATA	
DDI1_DDC_AUX_SEL	-	Connected to DP++-AUX Conversion
DDI1_HPD	DDSP_HPD1	

Table 14: DDI2 Interfaces

COMe Connector	PCH	Description
DDI2_PAIR[0:3]	TCP1_TX[0:3]	
DDI2_CTRLCLK_AUX+	TCP1_AUX_P/DDP2_CTRLCLK	
DDI2_CTRLDATA_AUX-	TCP1_AUX_N/DDP2_CTRLDATA	
DDI2_DDC_AUX_SEL	-	Connected to DP++ AUX Conversion
DDI2_HPD	DDSP_HPD2	

Table 15: DDI3 Interfaces

COMe Connector	PCH	Description
DDI3_PAIR[0:3]	TCP2_TX[0:3]	
DDI3_CTRLCLK_AUX+	TCP2_AUX_P/DDP3_CTRLCLK	
DDI3_CTRLDATA_AUX-	TCP2_AUX_N/DDP3_CTRLDATA	
DDI3_DDC_AUX_SEL	-	Connected to DP++ AUX Conversion
DDI3_HPD	DDSP_HPD3	

2.3.7.3. LVDS (with option to overlay eDP)

LVDS is implemented by NXP PTN3460 eDP to LVDS bridge chip:

- ▶ Input: Two eDP Lanes from CPU.
- ▶ Output: up to Dual channel LVDS interface (up to 1 pixel per clock) with up to 24 bit color.

The LVDS channel and control signals are pin shared with eDP signals.

Table 16: LVDS Bridge

COMe Connector	PTN3460	Description
LVDS_A*	LVS*O	Pin order according to COMe spec
LVDS_B*	LVS*E	
LVDS_I2C_CLK	-	connected to I2C_INT module bus
LVDS_I2C_DAT	-	connected to I2C_INT module bus
LVDS_VDD_EN	PVCCEN	
LVDS_BKLT_EN	BKLTEN	
LVDS_BKLT_CTRL	-	connected to EDP_BKLTCTL at SoC

2.3.8. HD Audio

The HD Audio (HDA) stream can be supported simultaneously on HDMI/DP.

Table 17: Audio

COMe Connector	PCH	Description
HDA_RST#	HDA_RST_#	
HDA_SYNC	HDA_SYNC	
HDA_BITCLK	HDA_BCLK	24.0 MHz clock to external codec
HDA_SDOOUT	HDA_SDO	
HDA_SDINO	HDA_SDI0	
HDA_SDIN1	HDA_SDI1	
HDA_SDIN2	-	TGL only supports up to two external codecs

2.3.9. General Purpose PCI Express 3.0

TGL supports a maximum of 12 HSIO lanes.

Table 18: General Purpose PCI Express 3.0

COMe connector	HSIO Port	Lane Config		
PCIE0	PCIE #5	x1	x2	x4
PCIE1	PCIE #6	x1		
PCIE2	PCIE #7	x1	x2	
PCIE3	PCIE #8	x1		
PCIE4	PCIE #9	x1	x2	x4
PCIE5 no GbE	PCIE #10	x1		
PCIE6 (no SATA0)	PCIE #11	x1	x2	
PCIE7 (no SATA1)	PCIE #12	x1		

Table 19: PCI Express Graphics 4.0 (PEG)

COMe connector	HSIO Port	Lane Config
PEG0 (no NVME)	PCIe#4_0	x4
PEG1 (no NVME)	PCIe#4_1	
PEG2 (no NVME)	PCIe#4_2	
PEG3 (no NVME/no SATA2)	PCIe#4_3	

2.3.10. PCI Express Reference Clock

Table 20: PCI Express Reference Clock

COMe Connector	PCH	Description
PCIe_CK_REF	PCIe_CLK0	100MHz PCIe reference clock

2.3.11. Universal Serial Bus (USB)

For every USB 3.1 port, one USB2 and one USB31 lane has to be bonded. Therefore, the number of available USB 2.0 ports decreases with every used 3.1 port. The SoC offers up to 8x USB 2.0 and up to 4x USB 3.1 with 10 Gbit/s

Table 21: USB

COMe USB2	COMe USB3	PCH USB2	PCH USB31
USB0	USB_SS0	USB2_1	USB31_1
USB1	USB_SS1	USB2_2	USB31_2
USB2	USB_SS2	USB2_3	USB31_3
USB3	USB_SS3	USB2_4	USB31_4
USB4		USB2_5	
USB5		USB2_6	
USB6		USB2_7	
USB7		USB2_8	

NOTICE

Note: Intel starts counting USB Ports with 1, while COMe Specification starts counting with 0.

Table 22: USB Overcurrent

COMe connector	PCH
USB_12_OC#	USB_1234_OC_RC#
USB_34_OC#	USB_1234_OC_RC#
USB_56_OC#	USB_5678_OC_RC#
USB_78_OC#	USB_5678_OC_RC#

2.3.12. SATA 3.0

The SATA high-speed storage interface supports two SATA Gen3 ports with transfer rates of up to 6 Gb/s.

Table 23: SATA

COMe connector	HSIO Port	Description
SATA0	SATA 0	SATA 6 Gb/s to COMe
SATA1	SATA 1	SATA 6 Gb/s to COMe
SATA2		Not used
SATA3		Not used

2.3.13. Gigabit Ethernet

The Intel Foxville I225LM/IT Ethernet Controller is connected to PCH HSIO Port 10 (PCIe #5).

- ▶ LM SKU @ 2.5G (0-70°C)
- ▶ IT SKU @ 2.5G (-40 – 70°C), @ 1G (-40 – 85°C)

Table 24: Ethernet

Ethernet	10 Base-T, 100 Base-TX and 1000 Base-T
Ethernet Controller	Intel® I225LM/IT Ethernet Controller

2.3.14. Storage

2.3.14.1. NVMe – Mass Storage

As option, a M.2 1620 (BGA) NVMe SSD can be connected instead of PEG lanes 0-3. Power Rails are SSD vendor dependent.

2.3.14.2. Embedded EEPROM (EepP)

The content of the Embedded EEPROM, formerly known as JIDA EEPROM, is defined in the PICMG COM Express companion document specification. The module EEPROM device (24C32) is attached to the I2C bus (I2C_EXT) from the CPLD, that's available on the baseboard, too. By default, the EEPROM is available on address 0Ah.

2.3.15. COMe Features

The following table lists the supported COM Express® features.

Table 25: COM Features

SPI	Boot from an external SPI
LPC	Supported
UART	2x UART (RX/TX)
LID Signals	Supported
Sleep Signals	Supported
Audio	HD Audio for external HDA codecs
SMBus	Supported

2.3.16. Kontron Features

The following table lists the supported Kontron specific product features.

Table 26: Kontron Features

External I2C Bus	Fast I2C, 100 KHz - 400 kHz, MultiMaster capable
Embedded API	KEAPI3
Custom BIOS Settings/Flash Backup	Supported
Watchdog Support	Dual staged
External SIO	Supported on the base board
GPIO	8x GPIO shared with SDIO, configurable in BIOS setup options
Rapid Shutdown	Not supported

2.3.17. LPC

The Module LPC and eSPI interfaces share connector pins. As TGL MCP does not provide an LPC interface any more, CTL6 onboard CPLD will implement an eSPI-to-LPC bridge. The CTL6 supports just LPC at the COMe connector.

Table 27: LPC

COMe Connector Pin	LPC Mode Connection
B[4:7]	LPC_AD[0:3]
B3	LPC_FRAME#
B10	LPC_CLK
B[8:9]	LPC_DRQ[0:1]
A50	LPC_SERIRQ

2.3.18. I2C Bus

Two I2C Buses are generated by the on-board FPGA internal kCPLD block. For more details, see kCPLD specification 2.8.

2.3.18.1. External user-accessible I2C (I2C_EXT)

Devices connected to the external I2C:

- ▶ A0h: Module Embedded EEPROM (JIDA EEPROM)
- ▶ AEh: carrier EEPROM (optional)
- ▶ 64h: external RTC (optional)

This I2C bus is available at COMe pins I2C_CLK (Pin B33), I2C_DAT (Pin B34).

Table 28: External user-accessible I2C (I2C_EXT)

8bit	7bit	Description
A0h	50h	Module Embedded EEPROM (JIDA EEPROM)
AEh	57h	Carrier EEPROM (optional)
64h	32h	External RTC (optional)

2.3.18.2. Internal I2C (I2C_INT)

The second I2C bus is used for configuration of on-board devices only.

Table 29: Internal I2C (I2C_INT)

8bit	7bit	Description
C0h	60h	LVDS bridge
A0h	50h	external LVDS EEPROM
40h	20h	IMVP9 VR (optional)

NOTICE

An external LVDS EEPROM can be connected to the LVDS-I2C-bus at pins A83 and A84. Don't connect other devices to this bus.

2.3.19. SMBus

SMBbus on COMe connector (B13, B14) is shared with onboard devices, so special care must be taken while selecting addresses for carrier devices. SMBus clock and data lines are divided into multiple voltage domains by discrete FET switches.

Table 30: SMBus

8bit	7bit	Description
A0h	50h	DDR4 Channel A SPD EEPROM (SO-DIMM)
A4h	52h	DDR4 Channel B SPD EEPROM (memory down)
30h	18h	DDR4 Channel A optional temperature sensor (SO-DIMM)
5Ch	2Eh	Hardware monitor
ACh	06h	HW-Mon reserved

Another FET switch disconnects the module SMB from the carrier during boot up. After BIOS has finished configuration of the on-board devices, it asserts EN_SMB_EXT# to close the switch.

Table 31: SMB Alert

Signal	PCH Pin	Description
SMB_ALERT#	GP_C02/SMB_ALERT_#	

SMB Alert# connects directly to COMe.

2.3.20. Wake Signals

Table 32: Wake Signals

COMe Signal	PCH Pin	Description
WAKE0#	WAKE#	passed through CPLD
WAKE1#	GPP_E16/ISH_GP7	passed through CPLD

2.3.21. Suspend Control

Table 33: Suspend Control

COMe Signal	PCH
SUS_STAT#	From CPLD
SUS_S3#	GPD4/PM_SLP_S3#
SUS_S4#	GPD5/PM_SLP_S4#
SUS_S5#	GPD10/PM_SLP_S5#

2.3.22. Power Good (PWR_OK)

Low level will prevent the module to enter S0 state. A falling edge during S0 will cause a direct switch to S5 (power failure).

2.3.23. Carrier Board Reset (CB_RESET#)

Table 34: Carrier Board Reset (CB_RESET#)

COMe Signal	PCH	Description
CB_RESET#	GP_B13/PLTRST#	passed through CPLD

2.3.24. System Reset (SYS_RESET#)

Table 35: System Reset (SYS_RESET#)

COMe Signal	PCH	Description
SYS_RESET#	SYS_RESET	Reset-button input from carrier passed through CPLD

2.3.25. Power Button (PWRBTN#)

Table 36: Power Button (PWRBTN#)

COMe Signal	PCH	Description
PWRBTN#	GPD3/PWRBTN#	Power-button input from carrier passed through CPLD

2.3.26. Batlow

Table 37: Batlow

COMe Signal	PCH	Description
BATLOW#	GPD0/BATLOW#	pulling BATLOW# low will prevent module from powering up.

2.3.27. LID Switch (LID#)

Table 38: LID Switch (LID#)

COMe Signal	PCH	Description
LID#	GPP_E3_CPU_GP0	passed through CPLD

2.3.28. Sleep Button (SLEEP#)

Table 39: Sleep Button (SLEEP#)

COMe Signal	PCH	Description
SLEEP#	GPP_E7_CPU_GP1	passed through CPLD

2.3.29. External SPI/GSPI Support

The Boot SPI0 is routed to COMe connector. This interfaces supports serial flash (for BIOS firmware) and TPM being attached to it only. BOM resistor stuffing option/software switch allows general purpose GSPI to be connected to COMe instead.

Table 40: External SPI/GSPI Support

COMe Signal	PCH Pin SPI (default)	PCH Pin SPI mode (optional)
SPI_CS#	SPIO_CS0_SOC#	GSPI0_CS0#
SPI_MISO	SPIO_MISO	GSPI0_MISO
SPI_MOSI	SPIO_MOSI	GSPI0_MOSI
SPI_CLK	SPIO_CLK	GSPI0_CLK
SPI_POWER	connected to V_3V3_S5	
BIOS_DIS0#		input to control SPI_CS# logic
BIOS_DIS1#		input to control SPI_CS# logic

The COMe-CTL6 supports on-module and carrier boot from SPI. It can be configured by pin A34 (BIOS_DIS#0) and pin B88 (BIOS_DIS_#1) in following configuration: Table 41: External BIOS ROM Support.

For additional safety, a second on-module SPI flash can be populated on the board*. This also requires an adoption of the FPGA/EC code. Features as SAFS together with eSPI are under investigation and not supported.

*On request. At the moment not supported.

Table 41: External BIOS ROM Support

BIOS_DIS1#	BIOS_DIS0#	MODULE_CS#	COMe_CS#	BIOS entry	Description
1	1	SPIO_CS0#	'1'	Module	
1	0	SPIO_CS0#	'1'	(Module)	Not Supported
0	1	SPIO_CS1#	SPIO_CS0#	Carrier	
0	0	SPIO_CS0#	SPIO_CS1#	Module	

2.3.30. Speaker Out (SPKR)

Table 42: Speaker Out (SPKR)

COMe Signal	PCH Pin	Description
SPKR	GPP_B14/SPKR	Speaker/Buzzer out

2.3.31. Watchdog Timeout (WDT)

Table 43: Watchdog Timeout (WDT)

COMe Signal	EC/kCPLD function	Description
WDT	po_wdt_o	Generated from kCPLD VHDL block

2.3.32. General Purpose IOs

In addition to COMe spec kCPLD implementation supports input and output functionality on all COMe GPIx and GPOx signals. Configuration has to be done by the OS driver.

Table 44: General Purpose IOs

COMe Signal	EC/kCPLD function (option GPIO)
GPI0	pio_gpio[0]
GPI1	pio_gpio[1]
GPI2	pio_gpio[2]
GPI3	pio_gpio[3]
GPO0	pio_gpio[4]
GPO1	pio_gpio[5]
GPO2	pio_gpio[6]
GPO3	pio_gpio[7]

2.3.33. External Fan support

Table 45: External Fan Control

COMe Signal	HWM Pin	Description
FAN_PWMOUT	FANCTL2	Gated by CPLD signal FAN_PWM_ENABLE to disconnect states other than S0
FAN_TACHIN	FANIN2	

2.3.34. UART Serial Ports

By default, both serial ports are provided by the SoC. Optionally it is possible that SER0/1 are generated by the CPLD. However, this requires a hardware modification (changed resistor placement and a more powerful CPLD), which leads to a chargeable customer variant.

Table 46: UART Serial Ports

COMe Signal
SER0_TX
SER0_RX
SER1_TX
SER1_RX

2.3.35. Hardware Monitor (HWM)

Hardware is Nuvoton NCT7802Y, SM-Bus Address is 5C.

2.3.36. Trusted Platform Module (TPM)

Chip is Infineon SLB9670XQ2.0 (TPM 2.0), connected to FSPI (dedicated SPI interface from PCH for TPM and BIOS EEPROM).

2.3.37. Embedded Controller (CPLD)

Altera MAX10 10M025CU169I7 (FPGA MAX 10 UBGA169 Industrial range) or pin compatible part can be assembled. EC implements Kontron COMe CPLD Specification 2.8 VHDL block (KCPLD).

KCPLD is connected to TGL eSPI interface to provide several features to the module/carrier:

- ▶ LPC Bus
- ▶ I2C
- ▶ UART (optional)
- ▶ GPIO
- ▶ Watchdog

Moreover, the EC is responsible for platform power sequence and reset control for all components.

2.3.38. SPI BIOS Memory

A 64 MB SPI Flash supporting SFDP (Serial Flash Discovery Parameter) is attached to PCH FSPI interface (dedicated SPI for TPM and flash memory). Flash Descriptor, BIOS, converged security engine as well as platform data are stored within the SPI flash.

2.4. Electrical Specification

The module powers on by connecting to a carrier board via the COMe interface connector. Before connecting the module to the carrier board, ensure that the carrier board is switch off and disconnected from the main power supply at the time of connection. Failure to disconnect the main power supply from the carrier board could result in personal injury and damage to the module and/or carrier board. The COMe interface connector pins on the module limits the amount of power received.

⚠ CAUTION

The module powers on by connecting to the carrier board using the Interface connector. Before connecting the module's interface connector to the carrier board's corresponding connector, ensure that the carrier board is switch off and disconnected from the main power supply. Failure to disconnect the main power supply could result in personal injury and damage to the module and/or carrier board.

⚠ CAUTION

Observe that only trained personnel aware of the associated dangers connect the module, within an access controlled ESD-safe workplace.

2.4.1. Power Supply Specifications

The COMe-cTL6 supports operation in both single supply power supply mode and ATX power supply mode.



Industrial temperature grade modules are validated for 12 V power supply only.
Commercial temperature grade modules support the wide range 8.5 V to 20 V power supply.



5 V Standby voltage is not mandatory for operation.

The following table lists the power supply specifications.

Supply Voltage Range (VCC)	8.5 V to 20 V
Supply Voltage (VCC)	12 V
Standby Voltage	5 V \pm 5%
RTC	2.5 V to 3.3 V

⚠ CAUTION

Only connect to an external power supply delivering the specified input rating and complying with the requirements of Safety Extra Low Voltage (SELV) and Limited Power Source (LPS) of UL/IEC 60950-1 or (PS2) of UL/IEC 62368-1.

NOTICE

To protect external power lines of peripheral devices, make sure that the wires have the right diameter to withstand the maximum available current and the enclosure of the peripheral device fulfils the fire-protection requirements of IEC/EN 62368-1.

NOTICE

If any of the supply voltages drops below the allowed operating level longer than the specified hold-up time, all the supply voltages should be shut down and left OFF for a time long enough to allow the internal board voltages to discharge sufficiently.
If the OFF time is not observed, parts of the board or attached peripherals may work incorrectly or even suffer a reduction of MTBF. The minimum OFF time depends on the implemented PSU model and other electrical factors and must be measured individually for each case.

2.4.1.1. Power Supply Rise Time

The input voltage rise time is 0.1 ms to 20 ms from input voltage $\leq 10\%$ to nominal VCC. To comply with the ATX specification there must be a smooth and continuous ramp of each DC input voltage from 10% to 90% of the DC input voltage final set point.

2.4.1.2. Power Supply Voltage Ripple

The maximum power supply voltage ripple is 200 mV peak-to-peak at 0 MHz – 20 MHz.

2.4.2. Power Management

Power management options are available within the BIOS setup.

ACPI Settings	ACPI 6.0
Miscellaneous Power Management	Supported in BIOS setup menu

2.4.2.1. Suspend States

If power is removed, 5 V can be applied to the V_5V_STBY pins to support the ACPI suspend-states:

- ▶ Suspend to RAM (S3)
- ▶ Suspend-to-Disk (S4)
- ▶ Soft-off state (S5)

The Wake-Up event (S0) requires VCC power, as the board is running.

The type of sleep states that the system supports can be determined by the setup option '**Advanced -> ACPI Settings -> Low Power S0 Idle Capability**'. If this option is disabled, then the system will support S3 and S4 states as usual. When enabling this option then the system will apply S0iX state instead of S3 and S4. This technology achieves energy savings through processor measures. The amount of savings is determined by the whole system layout and might differ on differently equipped systems. Note that when using S0iX the power button will not work as expected under Windows 10. It will not trigger any action as set in Windows system manager while the system is running. It will however be fully functional for switching the system on.

2.4.3. Power Supply Control Settings

The power Supply control settings are set in the BIOS and enable the module to shut down, rest and wake from standby properly.

The following table lists the implemented power supply control settings.

Table 47: Power Supply Control Settings

COMe Signal	Pin	Description
Power Button (PWRBTN#)	Pin B12	To start the module using the power button, the PWRBTN# signal must be at least 50 ms ($50 \text{ ms} \leq t < 4 \text{ s}$, typical 400 ms) at low level (Power Button Event). Pressing the power button for at least four seconds turns off power to the module (Power Button Override).
Power Good (PWR_OK)	Pin B24	PWR_OK is internally pulled up to 3.3 V and must be at the high level to power on the module. This can be driven low to hold the module from powering up as long as needed. The carrier needs to release the signal when ready.

COMe Signal	Pin	Description
		Low level prevents the module from entering the S0 state. A falling edge during S0 will cause a direct switch to S5 (Power Failure).
Reset Button (SYS_RESET#)	Pin B49	When the SYS_RESET# pin is detected active (falling edge triggered), it allows the processor to perform a "graceful" reset, by waiting up to 25 ms for the SMBus to go idle before forcing a reset, even though activity is still occurring. Once the reset is asserted, it remains asserted for 5 ms to 6 ms regardless of whether the SYS_RESET# input remains asserted or not.
SM-Bus Alert (SMB_ALERT#)	Pin B15	With an external battery manager present and SMB_ALERT #connected, the module always powers on even if the BIOS switch "After Power Fail" is set to "Stay Off".

2.4.4. Power Supply Modes

Setting the power supply controls enables the COMe-cTL6 to operating in either ATX power mode or in single power supply mode.

2.4.4.1. ATX Mode

To start the module in ATX mode, connect VCC and 5V Standby from a ATX PSU. As soon as the standby rail ramped up the PCH enters S5 state and starts the transition to S0. SUS_S3# (usually connected to PSU PS_ON#) turns on the main power rail (VCC). As soon as the PSU indicates that the power supply is stable (PWR_OK high) the PCH continues transition to S0. The input voltage must always be higher than 5V standby ($VCC > 5V_{SB}$) for modules supporting a wide input voltage range down to 8.5V.



The input voltage must always be higher than 5 V standby ($VCC > 5V_{SB}$) for modules supporting a wide input voltage range down to 8.5 V.

Table 48: ATX mode settings

State	PWRBTN#	PWR_OK	V5_StdBy	PS_ON#	VCC
G3	x	x	0V	x	0 V
S5	high	low	5V	high	0 V
S5 → S0	PWRBTN Event	low → high	5V	high → low	0 V → VCC
S0	high	high	5V	low	VCC

x – Signals are not relevant for the specific power state. It makes no difference if the signal is connected or open.

2.4.5. Single Supply Mode

To start the module in single power supply mode, connect VCC power and open PWR_OK at the high level. VCC can be 8.5 V to 20 V. To power on the module from S5 state, press the power button or reconnect VCC.



Suspend/Standby states are not supported in single power supply mode.

Table 49: Single Supply Mode Settings

State	PWRBTN#	PWR_OK	V5_StdBy	VCC
G3	x/0 V	x/0 V	x/0 V	0 V
G3 → S0	high	open/high	open	connecting VCC
S5	high	open/high	open	VCC
S5 → S0	PWRBTN Event	open/high	open	reconnecting VCC

x – Signals are not relevant for the specific power state. It makes no difference if the signal is connected or open.



All ground pins must be connected to the carrier board's ground plane.

NOTICE

If any of the supply voltages drops below the allowed operating level longer than the specified hold-up time, all the supply voltages should be shut down and left OFF for a time long enough to allow the internal board voltages to discharge sufficiently.

If the OFF time is not observed, parts of the board or attached peripherals may work incorrectly or even suffer a reduction of MTBF.

The minimum OFF time depends on the implemented PSU model and other electrical factors and needs to be measured individually for each case.

2.5. Thermal Management

2.5.1. Heatspreader and Active or Passive Cooling Solutions

A heatspreader plate assembly is available from Kontron for the COMe-cTL6. The heatspreader plate assembly is NOT a heat sink. The heatspreader works as a COM Express® standard thermal interface to be used with a heat sink or external cooling devices.

External cooling must be provided to maintain the heatspreader plate at proper operating temperatures. Under worst-case conditions, the cooling mechanism must maintain an ambient air and heatspreader plate temperature on any spot of the heatspreader's surface according to the module specifications:

- ▶ 60°C for commercial temperature grade modules
- ▶ 75°C for extended temperature grade modules (E1)
- ▶ 85°C for industrial temperature grade modules by design (E2)

2.5.2. Active or Passive Cooling Solutions

Both active and passive thermal management approaches can be used with heatspreader plates. The optimum cooling solution varies, depending on the COM Express® application and environmental conditions. Active or passive cooling solutions provided from Kontron for the COMe-cTL6 are usually designed to cover the power and thermal dissipation for a commercial temperature range used in housing with proper airflow.

2.5.3. Operating with Kontron Heatspreader Plate (HSP) Assembly

The operating temperature defines two requirements:

- ▶ Maximum ambient temperature with ambient being the air surrounding the module
- ▶ Maximum measurable temperature on any spot on the heatspreader's surface

The heatspreader is tested for the following temperature specifications.

Table 50: Heatspreader Test Temperature Specifications

Temperature Specification	Validation Requirements
Commercial Grade	at 60°C HSP temperature the CPU @ 100% load needs to run at nominal frequency
Extended Grade (E1)	at 75°C HSP temperature the CPU @ 75% load is allowed to start speedstepping for thermal protection
Industrial Grade by design (E2)	at 85°C HSP temperature the CPU @ 50% load is allowed to start throttling for thermal protection

2.5.4. Operating without Kontron Heatspreader Plate (HSP) Assembly

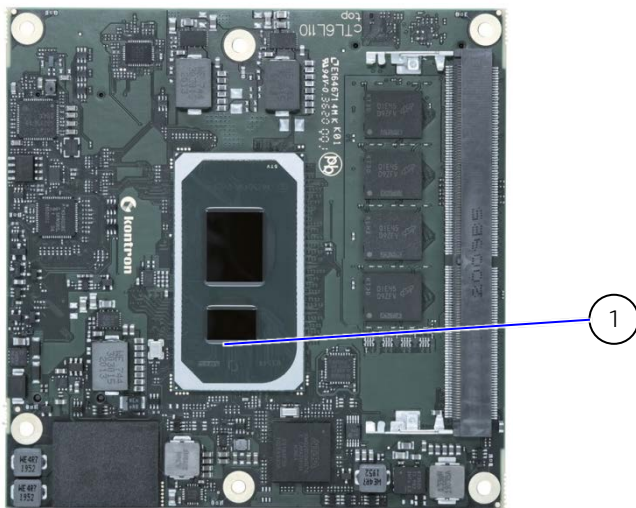
The operating temperature is the maximum measurable temperature on any spot on the module's surface.

2.5.5. Temperature Sensors

There are some temperature sensors available:

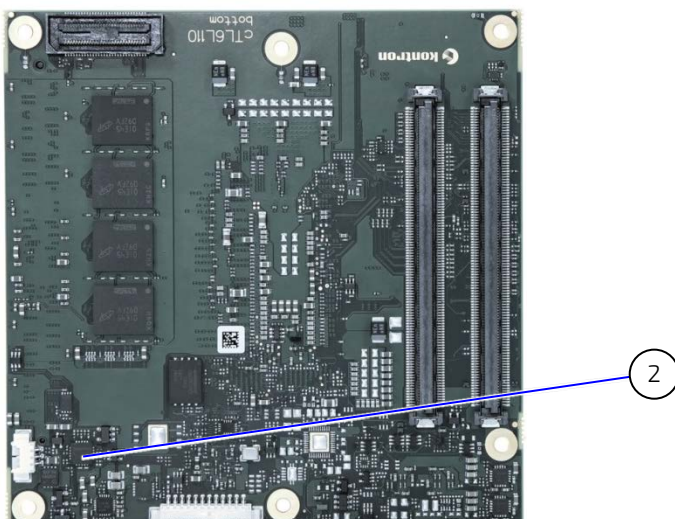
- ▶ temperature sensor in HW-Monitor
- ▶ temperature sensor in CPU, can be read out from HW-monitor via Platform Environment Control Interface (PECI)
- ▶ temperature sensor in NVMe (can be read out from OS)
- ▶ optional temperature sensor in SO-DIMM depends on type

Figure 6: Temperature Sensor #1 Location: CPU



1. Temp. Sensor #1:CPU

Figure 7: Temperature Sensor #2 Location: HW-Monitor

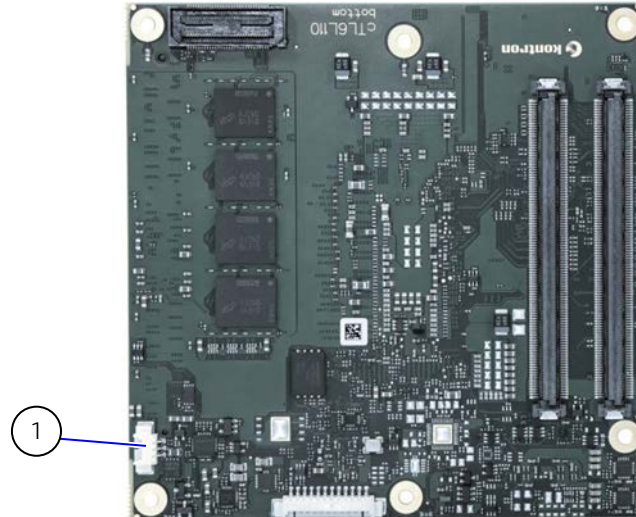


2. Temp. Sensor #2: HWMON

2.5.6. Onboard Fan Connector

The fan connector powers, controls and monitors an external fan. To connect a standard 3-pin connector fan to the module, use Kontron's fan cable, see Table 4: Product Accessories.

Figure 8: Fan Connector 3-Pin



1 3-pin fan connector

The analog output voltage on this connector is generated via a discrete linear voltage regulator from the PWM signal of the HWM. It is clipped at 12 V (+/- 10 %) across the whole input range of the module to prevent Fan damage at higher voltages.

The maximum supply current to the fan connected to the on-module fan connector is 350 mA if the input voltage is below 13.0 V and is further limited to 150 mA if the input voltage to the module is between 13.0 V and 20.0 V.

Table 51: Onboard Fan Connector

Pin	Signal	Description	Type
1	Fan_Tach_IN#	Fan Input voltage from COMe connector	Input
2	V_FAN	12 V ±10% (max.) across module input range	PWR
3	GND	Power GND	PWR

NOTICE

Always check the fan specification according to the limitations of the supply current and supply voltage.

2.6. Environmental Specification

Standard	Definition
Operating Temperature	0°C to 60°C (for COMe-cTL6 variants) -40°C to 85°C (by design for COMe-cTL6 E2 variants) (PCB and components should selected and designed accordingly)
Storage Temperature	-30°C to 85°C (for COMe- cTL6 (E1) variants) -40°C to 85°C (for COMe- cTL6 E2 variants)
Humidity	93% relative Humidity at 40°C, non-condensing (acc. to IEC 60068-2-78)

2.7. Compliance

The COMe-cTL6 complies with the following standards. If modified, the prerequisites for specific approvals may no longer apply. For more information, contact Kontron Support.

Table 52: Standards Compliance

Emission (EMC)	EN55032: 2015 Electromagnetic compatibility of multimedia equipment- Emission Requirements
Immunity (EMI)	EN 61000-6-2: 2005: Electromagnetic compatibility (EMC) Part 6-2: Generic standards - Immunity standard for industrial environments
Safety (Europe)	EN 62368-1:2014 Audio/video, information and communication technology equipment - Part 1: Safety requirements
Safety (USA/ Canada)	UL 62368-1/CSA 62368-1 (Component Recognition) Recognized by Underwriters Laboratories Inc. Representative samples of this component have been evaluated by UL and meet applicable UL requirements. UL listings: AZOT2.E147705 AZOT8.E147705
Shock	IEC/EN 60068-2-27 Non-operating shock – (half-sinusoidal, 11 ms, 15 g)
Vibration	IEC/EN 60068-2-6 Non-operating vibration – (sinusoidal, 10 Hz – 4000 Hz, +/- 0.15 mm, 2 g)
RoHS II	Directive 2011/65/EU Restriction of the use of certain hazardous substances in electrical and electronic equipment

2.7.1. MTBF

The following MTBF (Mean Time Before Failure) values were calculated using a combination of manufacturer’s test data, if the data was available, and the Telcordia (Bellcore) issue 2 calculation for the remaining parts.

The Telcordia calculation used is "Method 1 Case 3" in a ground benign, controlled environment (GB,GC). This particular method takes into account varying temperature and stress data and the system is assumed to have not been burned in.

Table 53: MTBF

MTBF
System MTBF (hours) = 521724h @ 40°C for COMe-cTL6 6305E Reliability report article number 36030-0000-18-2
System MTBF (hours) = 504068h @ 40°C for COMe-cTL6 E2 i7-1185GRE Reliability report article number: 36031-1600-18-7



The MTBF estimates values assume no fan, but a passive heat sinking arrangement. Estimated RTC battery life (as opposed to battery failures) is not accounted for and needs to be considered separately. Battery life depends on both temperature and operating conditions. When the Kontron unit has external power, the only battery drain is from leakage paths.

The figures below shows the MTBF de-rating for the different temperature range in an office or telecommunications environment. Other environmental stresses (such as extreme altitude, vibration, salt-water exposure) lower MTBF values.

Figure 9: MTBF De-rating Values (Reliability report article number 36030-0000-18-2)

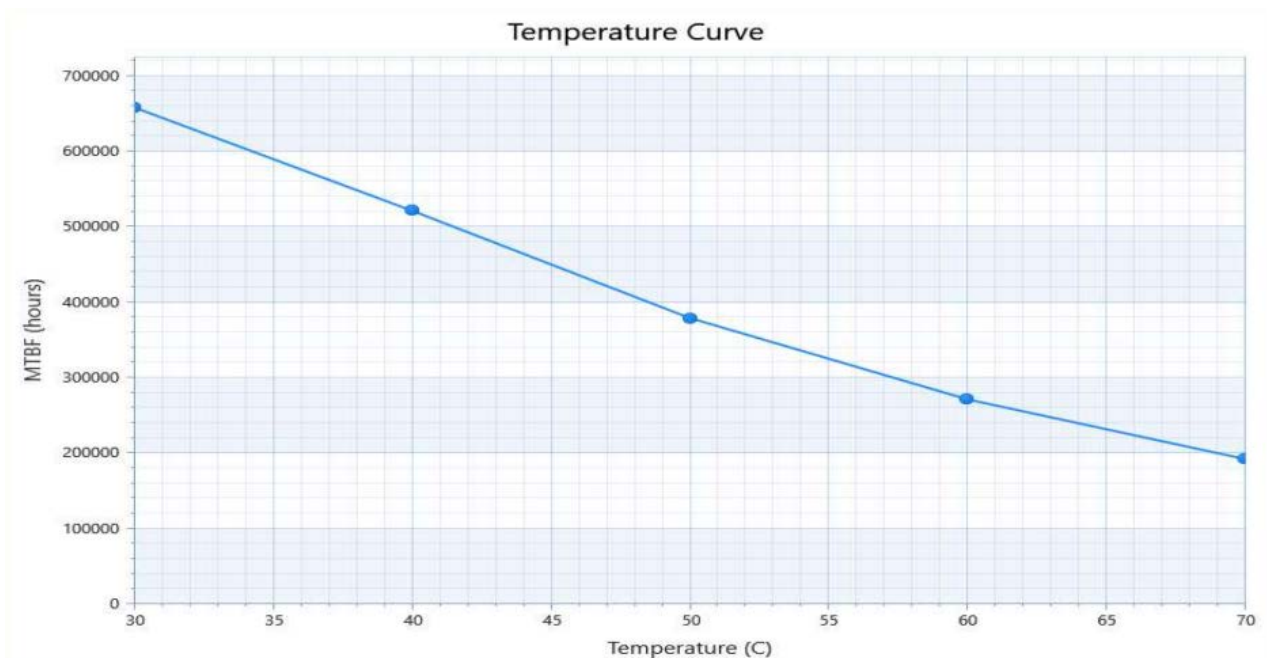
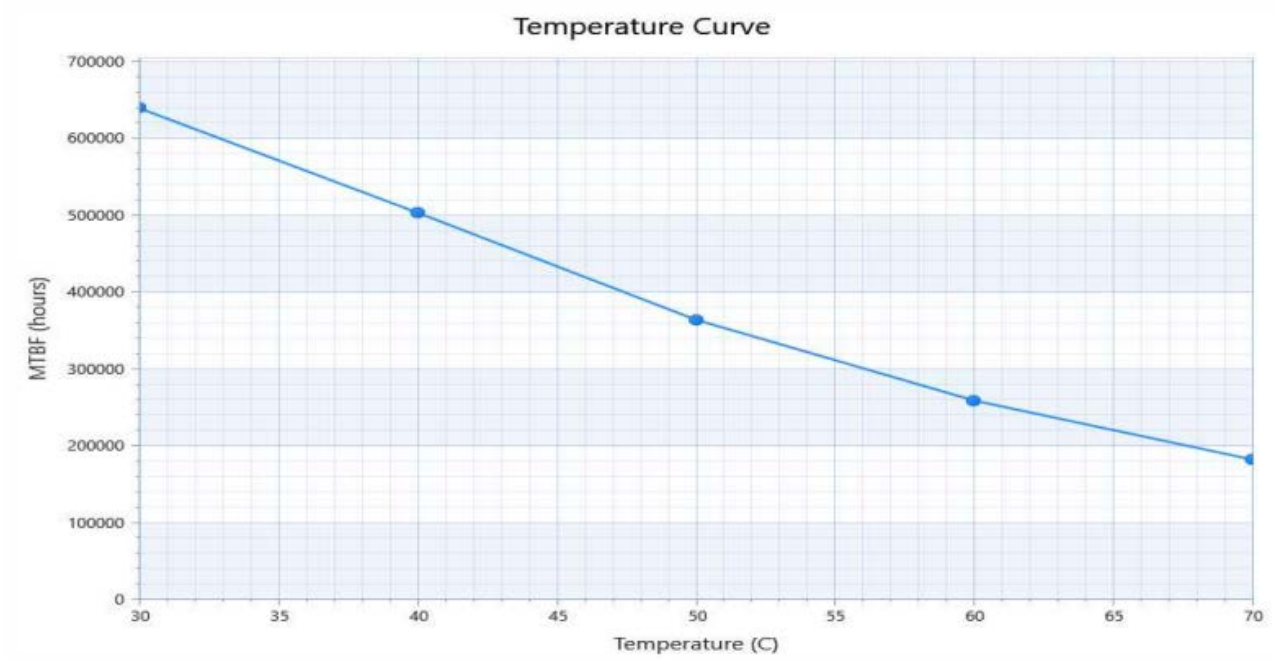


Figure 10: MTBF De-rating Values (Reliability report article number 36031-1600-18-7)



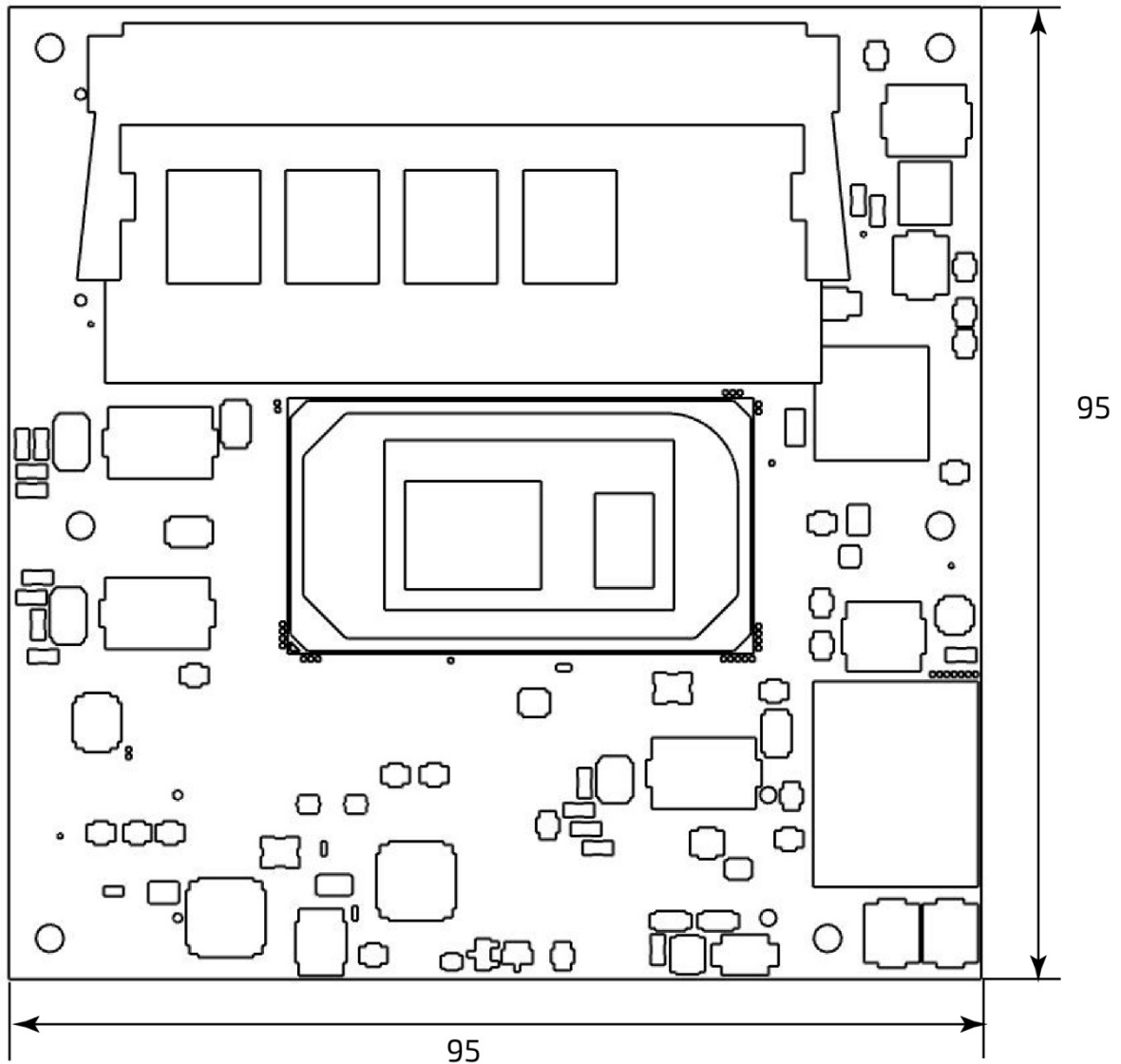
2.8. Mechanical Specification

2.8.1. Dimensions

The dimensions of the module are:

- ▶ 95.0 mm x 95.0 mm (3.75" x 3.75")

Figure 11: Module Dimensions



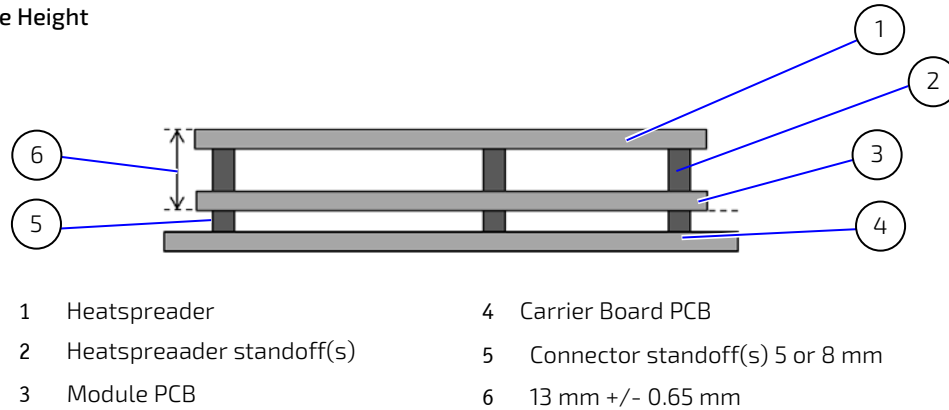
All dimensions shown in mm.

2.8.2. Height

The height of the module depends on the height of the implemented cooling solution. The height of the cooling solution is not specified in the COM Express® specification.

The COM Express® specification defines a module height of approximately 13 mm from module PCB bottom to heatspreader top.

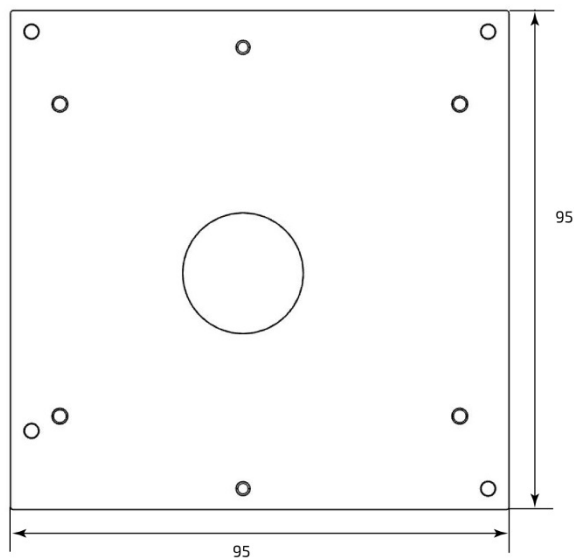
Figure 12: Module Height



2.8.3. Heatspreader Dimension

The following figure shows the heatspreader's dimensions and location on the module.

Figure 13: Heatspreader Location and Dimensions



All dimensions shown in mm.

3/ Features and Interfaces

3.1. Fast I2C

Fast I2C supports transfer between components on the same board. The COMe-cTL6 features an onboard I2C controller connected to the LPC Bus.

The I2C controller supports:

- ▶ Multimaster transfers
- ▶ Clock stretching
- ▶ Collision detection
- ▶ Interruption on completion of an operation

3.2. GPIO

The eight GPIO pins support four inputs pins (A54 for GPIO, A63 for GPI1, A67 for GPI2 and A85 for GPI3) and four output pins (A93 for GPO0, B54 for GPO1, B57 for GPO2 and B63 for GPO3) by default. The four GPI [0-3] pins are pulled high with a pull-up resistor (e.g. 100 K ohms) and the four GPO [0-3] pins are pulled low with a pull-down resistor (e.g. 100 K ohms) on the module.

To change the default GPIO signal-state users are required to make BIOS and/or OS-driver changes, and additional hardware changes by adding external termination resistors on the carrier board to override the weak on-module pull-up resistors with a lower resistance pull-down (e.g. 10 K ohms), or pull-down resistors with a lower resistance pull-up (e.g. 10 K ohms).

3.3. Kontron Security Solution

Kontron Security Solution is a combined hardware and software solution that includes an embedded hardware security module and a software framework to provide full protection for your application.

The COMe-cTL6 includes an integrated security module connected to USB2 port 9, supporting the following features:

- ▶ Copy protection
- ▶ IP protection
- ▶ License model enforcement
- ▶ If required customers can customize the solution to meet specific needs. For more information, contact Kontron Support.

3.4. LPC

The Low Pin Count (LPC) interface signals are connected to the LPC bus bridge located in the CPU or chipset. The LPC low speed interface can be used for peripheral circuits such as an external Super I/O controller that typically combines legacy-device support into a single IC. The implementation of this subsystem complies with the COM Express® specification. The COM Express® Design Guide maintained by PICMG provides implementation information or refer to the official PICMG documentation for more information.

The LPC bus does not support DMA (Direct Memory Access). When more than one device is used on LPC, a zero delay clock buffer is required. This leads to limitations for ISA bus and SIO (standard I/O(s) like floppy or LPT interfaces) implementations.

All Kontron COM Express® Computer-On-Modules imply BIOS support for the following external baseboard LPC Super I/O controller features for the Winbond/Nuvoton NCT7802Y.

Table 54: Supported BIOS Features

Winbond/Nuvoton 3.3V 83627DHG-P	AMI EFI APTIO V
PS/2	Not supported
COM1/COM2	Supported
LPT	Not supported
HWM	Not supported
Floppy	Not supported
GPIO	Not supported

Features marked as not supported do not exclude OS support (e.g., HWM is accessible via SMB). If any other LPC Super I/O additional BIOS implementations are necessary then contact Kontron Support.

3.5. Real Time Clock (RTC)

The RTC keeps track of the current time accurately. The RTC's low power consumption means that the RTC can be powered from an alternate source of power enabling the RTC to continue to keep time while the primary source of power is off or unavailable.

The RTC battery voltage range is 2.5 V to 3.3 V. A typical RTC voltage is 3 V with a current of >6 μ A. If the module is powered by the mains supply the RTC voltage is generated by on-module regulators to reduce the RTC current draw.

3.6. Serial Peripheral Interface (SPI)

The Serial Peripheral Interface Bus (SPI bus) is a synchronous serial data link standard. Devices communicate in master/slave mode, where the master device initiates the data frame. Multiple slave devices are allowed with individual slave select (chip select) lines. SPI is sometimes called a four-wire serial bus, contrasting with three, two and one-wire serial buses.



The SPI interface can only be used with a SPI flash device to boot from the external BIOS on the carrier board.

3.6.1. SPI Boot

The COMe-cTL6 supports boot from an external SPI Flash. Pin A34 (BIOS_DIS0#) and pin B88 (BIOS_DIS1#) configure the SPI Flash as follows:

Table 55: SPI Boot Pin Configuration

Configuration	BIOS_DIS0#	BIOS_DIS1#	Function
1	open	open	Boot on module BIOS
2	GND	open	Not supported
3	open	GND	Boot on baseboard SPI
4	GND	GND	Not supported



BIOS does not support being split between two chips. Booting takes place either from the module SPI or from the baseboard SPI.

Table 56: Supported SPI Boot Flash

Size	Manufacturer	Part Number	Package Type
32 MByte (256 Mbit)	Winbond	W25Q256JVEIQ	WSO8-8

3.7. Trusted Platform Module (TPM 2.0)

A Trusted Platform Module (TPM) stores RSA encryption keys specific to the host system for hardware authentication. The term TPM refers to the set of specifications applicable to TPM chips. The LPC bus connects the TPM chip to the CPU.

Each TPM chip contains an RSA key pair called the Endorsement Key (EK). The pair is maintained inside the chip and cannot be accessed by software. The Storage Root Key (SRK) is created when a user or administrator takes ownership of the system. This key pair is generated by the TPM based on the Endorsement Key and an owner-specified password.

A second key, called an Attestation Identity Key (AIK) protects the device against unauthorized firmware and software modification by hashing critical sections of firmware and software before they are executed. When the system attempts to connect to the network, the hashes are sent to a server that verifies that they match the expected values. If any of the hashed components have been modified since the last start, the match fails, and the system cannot gain entry to the network.

3.8. UART

The UART implements an interface for serial communications and supports up to two serial RX/TX ports defined in the COM Express® specification on pins A98 (SER0_TX) /A99 (SER0_RX) for UART0 and pins A101 (SER1_TX)/A102 (SER1_RX) for UART1. The UART controller is fully 16550A compatible.

Features of the UART are:

- ▶ On-Chip bit rate (baud rate) generator
- ▶ No handshake lines
- ▶ Interrupt function to the host
- ▶ FIFO buffer for incoming and outgoing data

3.9. Watchdog Timer (WTD) Dual Stage

A watchdog timer or (computer operating properly (COP) timer) is a computer hardware or software timer. If there is a fault condition in the main program, the watchdog triggers a system reset or other corrective actions. The intention is to bring the system back from the non-responsive state to normal operation.

Possible fault conditions are a hang or neglecting to service the watchdog regularly. Such as writing a "service pulse" to it, also referred to as "kicking the dog", "petting the dog", "feeding the watchdog" or "triggering the watchdog").

The COMe-cTL6 offers a watchdog that works with two stages that can be programmed independently and used stage by stage.

Table 57: Dual Stage Watchdog Timer- Time-out Events

Status	Events	Definition
0000b	No action	The stage is off and will be skipped.
0001b	Reset	A reset restarts the module and starts a new POST and operating system.
0010b	NMI	A non-maskable interrupt (NMI) is a computer processor interrupt that cannot be ignored by standard interrupt masking techniques in the system. It is used typically to signal attention for non-recoverable hardware errors.
0011b	SMI	A system management interrupt (SMI) makes the processor entering the system management mode (SMM). As such, specific BIOS code handles the interrupt. The current BIOS handler for the watchdog SMI currently does nothing. For special requirements, contact Kontron Support.
0100b	SCI	A system control interrupt (SCI) is a OS-visible interrupt to be handled by the OS using AML code.
0101b	Delay -> No action*	Might be necessary when an operating system must be started and the time for the first trigger pulse must be extended. Only available in the first stage.
1000b	WDT Only	This setting triggers the WDT pin on the baseboard connector (COM Express® pin B27) only.
1001b	Reset + WDT	
1010b	NMI + WDT	
1011b	SMI + WDT	
1100b	SCI + WDT	
1101b	DELAY + WDT -> No action*	

3.9.1. WDT Signal

Watchdog time-out event (pin B27) on COM Express® connector offers a signal that can be asserted when a watchdog timer has not been triggered with a set time. The WDT signal is configurable to any of the two stages. After reset, the signal is automatically deasserted. If deassertion is necessary during runtime, ask Kontron Support for further help.

4/ System Resources

4.1. I2C Bus

The following table specifies the devices connected to the accessible I2C bus including the I2C address. The I2C bus is available at the COM Express® connector pin B33, I2C_CK and pin B34, I2C_DAT.

Table 58: I2C Bus Port Address

8-bit Address	7-bit Address	Used For	Available
A0h	50h	Module embedded EEPROM (Eeep)	YES
AEh	57h	Carrier board EEPROM	Option
64h	32h	External RTC	Option

4.2. System Management (SM) Bus

The 8-bit SMBus address uses the LSB (bit 0) for the direction of the device.

- ▶ Bit0 = 0 defines the write address
- ▶ Bit0 = 1 defines the read address

The following table specifies the 8-bit and 7-bit SMBus write address for all devices.

Table 59: SMBus Address

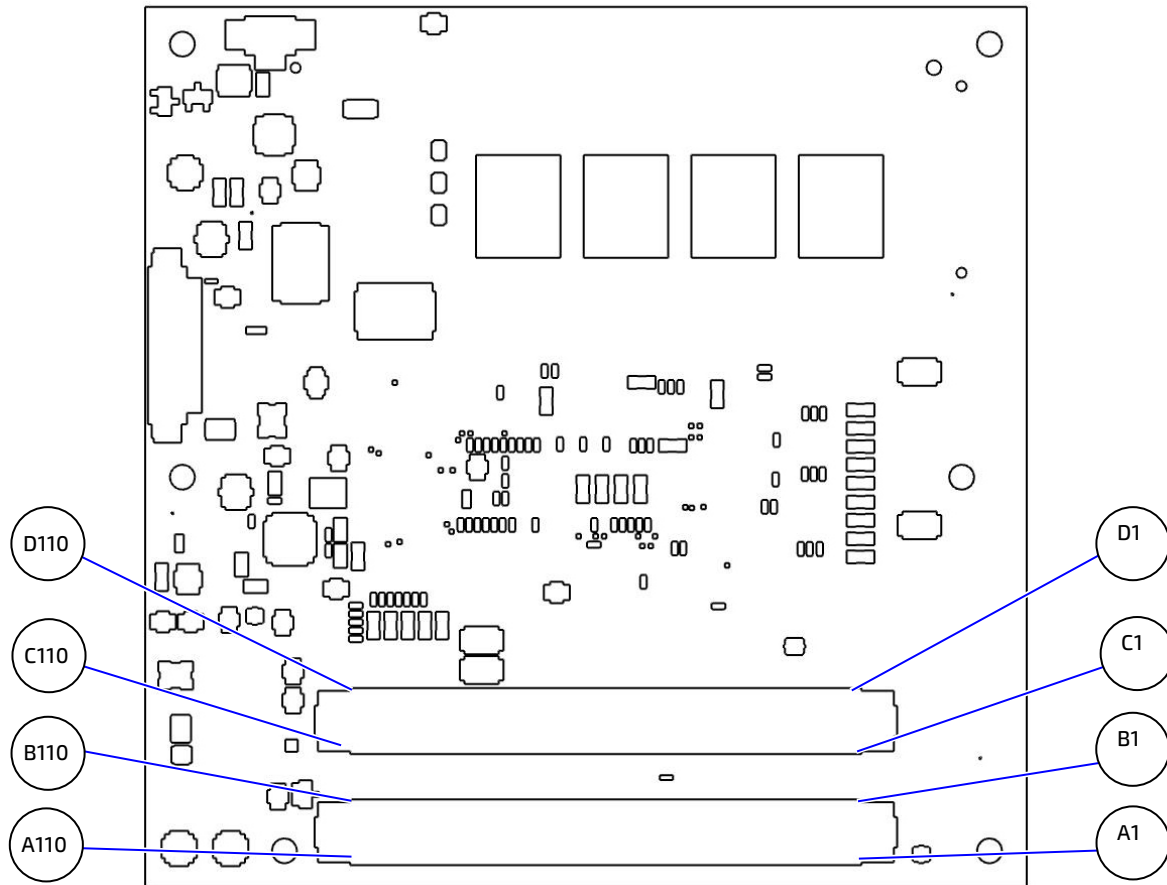
8-bit Address	7-bit Address	Device Description
A0h	50h	DDR4 Channel A SPD EEPROM (SO-DIMM)
A4h	52h	DDR4 Channel B SPD EEPROM (memory down)
30h	18h	DDR4 Channel A optional temperature sensor (SO-DIMM)
5Ch	2Eh	Hardware monitor
ACh	06h	HW-Mon reserved

5/ COMe Interface Connectors (X1A and X1B)

The COMe-cTL6 is a COM Express® compact module containing two 220-pin connectors; each with two rows called row A and B on the primary connector X1A and row C and D on the secondary connector X1B.

The following figure is a view from the bottom of the module showing the position of the first pin of row A to row D.

Figure 14: X1A and X1B COMe Interface Connectors



5.1. Connecting COMe Interface Connector to Carrier Board

The COMe Interface connectors (X1A, X1B) are inserted into the corresponding connectors on the carrier board and secured using the mounting points and standoffs. The height of the standoffs (either 5 mm or 8 mm) depends on the height of the carrier board's connector.

CAUTION

The module is powered on by connecting to the carrier board using the interface connector. Before connecting the module's interface connector to the carrier board's corresponding connector, ensure that the carrier board is switch off and disconnected from the main power supply. Failure to disconnect the main power supply could result in personal injury and damage to the module and/or carrier board.

Observe that only trained personnel aware of the associated dangers connect the module, within an access controlled ESD-safe workplace.

NOTICE

To protect external power lines of peripheral devices, make sure that: the wires have the right diameter to withstand the maximum available current. The enclosure of the peripheral device fulfills the fire-protection requirements of IEC/EN 62368

5.2. X1A and X1B Signals

For a description of the terms used in the X1A and X1B pin assignment tables, see Table 60: General Signal Description or Appendix A, List of Acronyms. If a more detailed pin assignment description is required, refer to the PICMG specification COMe Rev 3.0 Type 6 standard.



The information provided under type, module terminations and comments is complimentary to the COM.0 Rev 3.0 Type 6 standard. For more information, contact Kontron Support.

Table 60: General Signal Description

Type	Description	Type	Description
NC	Not Connected (on this product)	0-1,8	1.8 V Output
I/O-3,3	Bi-directional 3.3 V I/O-Signal	0-3,3	3.3 V Output
I/O-5T	Bi-dir. 3.3 V I/O (5 V Tolerance)	0-5	5 V Output
I/O-5	Bi-directional 5V I/O-Signal	DP-I/O	Differential Pair Input/Output
I-3,3	3.3 V Input	DP-I	Differential Pair Input
I/OD	Bi-directional Input/Output Open Drain	DP-O	Differential Pair Output
I-5T	3.3 V Input (5 V tolerance)	PU	Pull-Up Resistor
OA	Output Analog	PWR	Power Connection
OD	Output Open Drain	+ and -	Differential Pair

NOTICE

To protect external power lines of peripheral devices, make sure that: the wires have the right diameter to withstand the maximum available current.

The enclosure of the peripheral device fulfills the fire-protection requirements of IEC/EN60950.

5.3. X1A and X1B Pin Assignment

For more information regarding the pin assignment of connector X1A (Row A and Row B) and connector X1B (Row C and Row D), see the pin assignment tables:

1. Table 61: Connector X1A Row A Pin Assignment (A1- A110)
2. Table 62: Connector X1A Row B Pin Assignment (B1-B110)
3. Table 63: Connector X1B Row C Pin Assignment (C1-C110)
4. Table 64: Connector X1B Row D Pin Assignment (D1-D110)

5.3.1. Connector X1A Row A1 – A110

The following section describes the signals found on COM Express™ Type 6 connectors used for Kontron modules. The pinout of the modules complies with COM Express Type 6 Rev. 3.0. The table below describes the terminology used in this section. The PU/PD column indicates if a COM Express™ module pull-up or pull-down resistor has been used. If the field entry area in this column for the signal is empty, then no pull-up or pull-down resistor has been implemented by Kontron.

The “#” symbol at the end of the signal name indicates that the active or asserted state occurs when the signal is at a low voltage level. When “#” is not present, the signal is asserted when at a high voltage level.

NOTICE

The Signal Description tables list all internal pull-ups or pull-downs implemented by the chip vendors.

Table 61: Connector X1A Row A Pin Assignment (A1- A110)

Pin	Signal	Description	Type	Termination	Comment
A1	GND	Power Ground	PWR GND	---	---
A2	GBEO_MDI3-	Ethernet Media Dependent Interface 3 -	DP-I/O	---	---
A3	GBEO_MDI3+	Ethernet Media Dependent Interface 3 +	DP-I/O	---	---
A4	GBEO_LINK_MID#	Ethernet Speed LED indicating 100Mbit and 1Gbit connection	OD	---	---
A5	GBEO_LINK_MAX#	Ethernet Speed LED indicating 2.5Gbit connection	OD	---	---
A6	GBEO_MDI2-	Ethernet Media Dependent Interface 2 -	DP-I/O	---	---
A7	GBEO_MDI2+	Ethernet Media Dependent Interface 2 +	DP-I/O	---	---
A8	GBEO_LINK#	LAN Link LED	OD	---	---
A9	GBEO_MDI1-	Ethernet Media Dependent Interface 1 -	DP-I/O	---	---
A10	GBEO_MDI1+	Ethernet Media Dependent Interface 1 +	DP-I/O	---	---
A11	GND	Power Ground	PWR GND	---	---
A12	GBEO_MDI0-	Ethernet Media Dependent Interface 0 -	DP-I/O	---	---
A13	GBEO_MDI0+	Ethernet Media Dependent Interface 0 +	DP-I/O	---	---
A14	GBEO_CTREF	Center Tab Reference Voltage	0	---	100 nF capacitor to GND
A15	SUS_S3#	Suspend To RAM (or deeper) Indicator	O-3.3	PD 100k	---
A16	SATA0_TX+	SATA Transmit Pair 0 +	DP-0	---	---
A17	SATA0_TX-	SATA Transmit Pair 0 -	DP-0	---	---
A18	SUS_S4#	Suspend To Disk (or deeper) Indicator	O-3.3	PD 100k	---
A19	SATA0_RX+	SATA Receive Pair 0 +	DP-I	---	---
A20	SATA0_RX-	SATA Receive Pair 0 -	DP-I	---	---
A21	GND	Power Ground	PWR GND	---	---
A22	SATA2_TX+	SATA Transmit Pair 2 +	DP-0	---	---
A23	SATA2_TX-	SATA Transmit Pair 2 -	DP-0	---	---
A24	SUS_S5#	Soft Off Indicator	O-3.3	---	---
A25	SATA2_RX+	SATA Receive Pair 2 +	DP-I	---	---
A26	SATA2_RX-	SATA Receive Pair 2 -	DP-I	---	---
A27	BATLOW#	Battery Low	I-3.3	PU 10k 3.3V (S5)	Assertion prevents wake from S3-S5 state

Pin	Signal	Description	Type	Termination	Comment
A28	(S)ATA_ACT#	Serial ATA activity LED	OD-3.3	PU 10k 3.3V (S0)	Can sink 15mA
A29	HDA_SYNC	HD Audio Sync	0-3.3	PD 100k	---
A30	HDA_RST#	HD Audio Reset	0-3.3	PD 100k	---
A31	GND	Power Ground	PWR GND	---	---
A32	HDA_CLK	HD Audio Bit Clock Output	0-3.3	PD 20k in PCH	---
A33	HDA_SDOOUT	HD Audio Serial Data Out	0-3.3	PD 20k in PCH	---
A34	BIOS_DIS0#/ESPI_S AFS	BIOS Selection Strap 0	I-3.3	PU 10k 3.3V (S5)	---
A35	THRMTRIP#	Thermal Trip	0-3.3	PU 10k 3.3V (S0)	Thermal Trip Event, transition to S5 indicator
A36	USB6-	USB 2.0 Data Pair Port 6 -	DP-I/O	PD 14.25k to 24.8k in PCH	---
A37	USB6+	USB 2.0 Data Pair Port 6 +	DP-I/O	PD 14.25k to 24.8k in PCH	---
A38	USB_6_7_OC#	USB Overcurrent Indicator Port 6/7	I-3.3	PU 10k 3.3V (S5)	---
A39	USB4-	USB 2.0 Data Pair Port 4 -	DP-I/O	PD 14.25k to 24.8k in PCH	---
A40	USB4+	USB 2.0 Data Pair Port 4 +	DP-I/O	PD 14.25k to 24.8k in PCH	---
A41	GND	Power Ground	PWR GND	---	---
A42	USB2-	USB 2.0 Data Pair Port 2 -	DP-I/O	PD 14.25k to 24.8k in PCH	---
A43	USB2+	USB 2.0 Data Pair Port 2 +	DP-I/O	PD 14.25k to 24.8k in PCH	---
A44	USB_2_3_OC#	USB Overcurrent Indicator Port 2/3	I-3.3	PU 10k 3.3V (S5)	---
A45	USB0-	USB 2.0 Data Pair Port 0 -	DP-I/O	PD 14.25k to 24.8k in PCH	---
A46	USB0+	USB 2.0 Data Pair Port 0 +	DP-I/O	PD 14.25k to 24.8k in PCH	---
A47	VCC_RTC	Real-Time Clock Circuit Power Input	PWR 3V	---	Voltage range 2.5 V to 3.3 V
A48	RSVD	Reserved for future use	nc	---	---
A49	GBE0_SDP	Gigabit Ethernet Controller 0 Software-Definable Pin	I/O-3.3	---	---
A50	LPC_SERIRQ/ESPI_CS1#	Serial Interrupt Request/eSPI Master Chip Select 1	I/OD-3.3/O-1,8	PU 8k2 3.3V (S0)	---
A51	GND	Power Ground	PWR GND	---	---
A52	PCIE_TX5+	PCI Express Lane 5 Transmit +	DP-0	---	---
A53	PCIE_TX5-	PCI Express Lane 5 Transmit -	DP-0	---	---
A54	GPIO	General Purpose Input 0	I-3.3	PU 100k 3.3V (S0)	---
A55	PCIE_TX4+	PCI Express Lane 4 Transmit +	DP-0	---	---
A56	PCIE_TX4-	PCI Express Lane 4 Transmit -	DP-0	---	---
A57	GND	Power Ground	PWR GND	---	---
A58	PCIE_TX3+	PCI Express Lane 3 Transmit +	DP-0	---	---
A59	PCIE_TX3-	PCI Express Lane 3 Transmit -	DP-0	---	---
A60	GND	Power Ground	PWR GND	---	---

Pin	Signal	Description	Type	Termination	Comment
A61	PCIE_TX2+	PCI Express Lane 2 Transmit +	DP-0	---	---
A62	PCIE_TX2-	PCI Express Lane 2 Transmit -	DP-0	---	---
A63	GPI1	General Purpose Input 1	I-3.3	PU 100k 3.3V (S0)	---
A64	PCIE_TX1+	PCI Express Lane 1 Transmit +	DP-0	---	---
A65	PCIE_TX1-	PCI Express Lane 1 Transmit -	DP-0	---	---
A66	GND	Power Ground	PWR GND	---	---
A67	GPI2	General Purpose Input 2	I-3.3	PU 100k 3.3V (S0)	---
A68	PCIE_TX0+	PCI Express Lane 0 Transmit +	DP-0	---	---
A69	PCIE_TX0-	PCI Express Lane 0 Transmit -	DP-0	---	---
A70	GND	Power Ground	PWR GND	---	---
A71	LVDS_A0+	LVDS Channel A DAT0+ /EDP Lane 2 Transmit +	DP-0	---	---
A72	LVDS_A0-	LVDS Channel A DAT0- /EDP Lane 2 Transmit -	DP-0	---	---
A73	LVDS_A1+	LVDS Channel A DAT1+ /EDP Lane 1 Transmit +	DP-0	---	---
A74	LVDS_A1-	LVDS Channel A DAT1- /EDP Lane 1 Transmit -	DP-0	---	---
A75	LVDS_A2+	LVDS Channel A DAT2+ /EDP Lane 0 Transmit +	DP-0	---	---
A76	LVDS_A2-	LVDS Channel A DAT2- /EDP Lane 0 Transmit -	DP-0	---	---
A77	LVDS_VDD_EN	LVDS/EDP Panel Power Control	O-3.3	PD 100k	---
A78	LVDS_A3+	LVDS Channel A DAT3+	DP-0	---	---
A79	LVDS_A3-	LVDS Channel A DAT3-	DP-0	---	---
A80	GND	Power Ground	PWR GND	---	---
A81	LVDS_A_CLK+	LVDS Channel A Clock+ /EDP Lane 3 Transmit +	DP-0	---	Clock: 20-80MHz
A82	LVDS_A_CLK-	LVDS Channel A Clock- /EDP Lane 3 Transmit -	DP-0	---	Clock: 20-80MHz
A83	LVDS_I2C_CLK	LVDS I2C Clock (DDC)/EDP AUX +	I/O-3.3	PU 2k2 3.3V (S0)	---
A84	LVDS_I2C_DAT	LVDS I2C Data (DDC)/EDP AUX -	I/O-3.3	PU 2k2 3.3V (S0)	---
A85	GPI3	General Purpose Input 3	I-3.3	PU 100k 3.3V (S0)	---
A86	RSVD	Reserved for future use	nc	---	---
A87	eDP_HPD	EDP Hot Plug Detect	I-3.3	PD 400k LVDS/100k EDP	---
A88	PCIE_CLK_REF+	Reference PCI Express Clock +	DP-0	---	100MHz
A89	PCIE_CLK_REF-	Reference PCI Express Clock -	DP-0	---	100MHz
A90	GND	Power Ground	PWR GND	---	---
A91	SPI_POWER	3.3V Power Output Pin for external SPI flash	O-3.3	---	100mA (max.)
A92	SPI_MISO	SPI Master IN Slave OUT	I-3.3	PU 20k +/- 30% in PCH (S5)	All SPI signals are tri-stated until reset is deasserted
A93	GPO0	General Purpose Output 0	O-3.3	PD 100k	---

Pin	Signal	Description	Type	Termination	Comment
A94	SPI_CLK	SPI Clock	0-3.3	PU 20k +/- 30% in PCH (S5)	All SPI signals are tri-stated with 20k ohm CPU internal weak pull-up until reset is deasserted
A95	SPI_MOSI	SPI Master Out Slave In	0-3.3	PU 20k +/- 30% in PCH (S5)	
A96	TPM_PP	TPM Physical Presence	I-3.3	PD 10k	TPM does not use this functionality
A97	TYPE10#	Indicates TYPE10# to carrier board	nc	---	---
A98	SERO_TX	Serial Port 0 TXD	0-3.3	---	20V protection circuit implemented on module, PD on carrier board needed for proper operation
A99	SERO_RX	Serial Port 0 RXD	I-5T	PU 10k 3.3V (S0)	20V protection circuit implemented on module
A100	GND	Power Ground	PWR GND	---	---
A101	SER1_TX	Serial Port 1 TXD	0-3.3	---	20V protection circuit implemented on module, PD on carrier board needed for proper operation
A102	SER1_RX	Serial Port 1 RXD	I-5T	PU 10k 3.3V (S0)	20V protection circuit implemented on module
A103	LID#	LID Switch Input	I-3.3	PU 47k 3.3V (S5)	
A104	VCC_12V	Main Input Voltage (4.75-20V)	PWR 4.75-20V	---	---
A105	VCC_12V	Main Input Voltage (4.75-20V)	PWR 4.75-20V	---	---
A106	VCC_12V	Main Input Voltage (4.75-20V)	PWR 4.75-20V	---	---
A107	VCC_12V	Main Input Voltage (4.75-20V)	PWR 4.75-20V	---	---
A108	VCC_12V	Main Input Voltage (4.75-20V)	PWR 4.75-20V	---	---
A109	VCC_12V	Main Input Voltage (4.75-20V)	PWR 4.75-20V	---	---
A110	GND	Power Ground	PWR GND	---	---

+ and - Differential pair differentiator

5.3.2. Connector X1A Row B 1 - B 110

Table 62: Connector X1A Row B Pin Assignment (B1-B110)

Pin	Signal	Description	Type	Termination	Comment
B1	GND	Power Ground	PWR GND	---	---
B2	GBEO_ACT#	Ethernet Activity LED	OD	---	---
B3	LPC_FRAME#/ ESPI_CS0	LPC Frame Indicator/eSPI Master Chip Select 0	0-3.3/eSPI 0- 1.8	---	---
B4	LPC_AD0/ ESPI_IO_0	LPC Multiplexed Command, Address & Data 0/eSPI Master Data I/O 0	I/O-3.3/eSPI I/O- 1.8	PU 20k 3.3V (S0)	---
B5	LPC_AD1/ ESPI_IO_1	LPC Multiplexed Command, Address & Data 1/eSPI Master Data I/O 1	I/O-3. 3/eSPI I/O- 1.8	PU 20k 3.3V (S0)	---
B6	LPC_AD2/ ESPI_IO_2	LPC Multiplexed Command, Address & Data 2/eSPI Master Data I/O 2	I/O-3. 3/eSPI I/O- 1.8	PU 20k 3.3V (S0)	---
B7	LPC_AD3/ ESPI_IO_3	LPC Multiplexed Command, Address & Data 3/eSPI Master Data I/O 3	I/O-3. 3/eSPI I/O- 1.8	PU 20k 3.3V (S0)	---
B8	LPC_DRQ0#/ ESPI_ALERT0#	LPC Serial DMA/Master Request 0 / eSPI Alert 0	I-3.3/eSPI I- 1.8	PU 10k 3.3V (S0)	---
B9	LPC_DRQ1#/ ESPI_ALERT1#	LPC Serial DMA/Master Request 1 / eSPI Alert 1	I-3.3/eSPI I- 1.8	PU 10k 3.3V (S0)	---
B10	LPC_CLK/ ESPI_CLK	24MHz LPC clock	0-3.3/eSPI 0- 1.8		
B11	GND	Power Ground	PWR GND	---	---
B12	PWRBTN#	Power Button	I-3.3	PU 3k32 3.3V (S5)	
B13	SMB_CLK	SMBUS Clock	0-3.3	PU 3k9 3.3V (S5)	---
B14	SMB_DAT	SMBUS Data	I/O-3.3	PU 3k9 3.3V (S5)	---
B15	SMB_ALERT#	SMBUS Alert	I/O-3.3	PU 2k26 3.3V (S5)	---
B16	SATA1_TX+	SATA 1 Transmit Pair +	DP-0	---	---
B17	SATA1_TX-	SATA 1 Transmit Pair -	DP-0	---	---
B18	SUS_STAT#/ ESPI_RESET#	Suspend Status/eSPI Reset	0-3.3/0- 1.8	---	---
B19	SATA1_RX+	SATA 1 Receive Pair +	DP-I	---	---
B20	SATA1_RX-	SATA 1 Receive Pair -	DP-I	---	---
B21	GND	Power Ground	PWR GND	---	---
B22	SATA3_TX+	SATA 3 Transmit Pair +	nc	---	---
B23	SATA3_TX-	SATA 3 Transmit Pair -	nc	---	---
B24	PWR_OK	Power OK	I-5T	PU 51k 3.3V (S5)	20V protection circuit implemented on module
B25	SATA3_RX+	SATA 3 Receive Pair +	nc	---	---
B26	SATA3_RX-	SATA 3 Receive Pair -	nc	---	---
B27	WDT	Watch Dog Time-Out event	0-3.3	PD 10K	---
B28	HDA_SDIN2	Not Connected	nc	---	Not supported
B29	HDA_SDIN1	Audio Codec Serial Data in 1	I-3.3	PD 20k in PCH	---
B30	HDA_SDIN0	Audio Codec Serial Data in 0	I-3.3	PD 20k in PCH	---
B31	GND	Power Ground	PWR GND	---	---

Pin	Signal	Description	Type	Termination	Comment
B32	SPKR	Speaker	0-3.3	PD 20k +/- 30% in PCH	PD is enabled until reset is deasserted
B33	I2C_CK	I2C Clock	0-3.3	PU 2k21 3.3V (S5)	---
B34	I2C_DAT	I2C Data	I/O-3.3	PU 2k21 3.3V (S5)	---
B35	THRM#	Over Temperature Input	I-3.3	PU 10k 3.3V (S0)	No function implemented
B36	USB7-	USB 2.0 Data Pair Port 7 -	DP-I/O	PD 14.25k to 24.8k in PCH	---
B37	USB7+	USB 2.0 Data Pair Port 7 +	DP-I/O	PD 14.25k to 24.8k in PCH	---
B38	USB_4_5_OC#	USB Overcurrent Indicator Port 4/5	I-3.3	PU 10k 3.3V (S5)	---
B39	USB5-	USB 2.0 Data Pair Port 5 -	DP-I/O	PD 14.25k to 24.8k in PCH	---
B40	USB5+	USB 2.0 Data Pair Port 5 +	DP-I/O	PD 14.25k to 24.8k in PCH	---
B41	GND	Power Ground	PWR GND	---	---
B42	USB3-	USB 2.0 Data Pair Port 3 -	DP-I/O	PD 14.25k to 24.8k in PCH	---
B43	USB3+	USB 2.0 Data Pair Port 3 +	DP-I/O	PD 14.25k to 24.8k in PCH	---
B44	USB_0_1_OC#	USB Overcurrent Indicator Port 0/1	I-3.3	PU 10k 3.3V (S5)	---
B45	USB1-	USB 2.0 Data Pair Port 1 -	DP-I/O	PD 14.25k to 24.8k in PCH	---
B46	USB1+	USB 2.0 Data Pair Port 1 +	DP-I/O	PD 14.25k to 24.8k in PCH	---
B47	ESPI_EN#	[Enable/Disable] ESPI- Mode/LPC-Mode	I-3.3	PU 10k 1.8V (S5)	---
B48	USB_HOST_PRSENT	USB Host Detection	I-3.3	---	---
B49	SYS_RESET#	Reset Button Input	I-3.3	PU 3k32 3.3V (S5)	---
B50	CB_RESET#	Carrier Board Reset	0-3.3	PD 10k	---
B51	GND	Power Ground	PWR GND	---	---
B52	PCIE_RX5+	PCI Express Lane 5 Receive +	DP-I	---	---
B53	PCIE_RX5-	PCI Express Lane 5 Receive -	DP-I	---	---
B54	GPO1	General Purpose Output 1	0-3.3	PD 100k	---
B55	PCIE_RX4+	PCI Express Lane 4 Receive +	DP-I	---	---
B56	PCIE_RX4-	PCI Express Lane 4 Receive -	DP-I	---	---
B57	GPO2	General Purpose Output 2	0-3.3	PD 100k	---
B58	PCIE_RX3+	PCI Express Lane 3 Receive +	DP-I	---	---
B59	PCIE_RX3-	PCI Express Lane 3 Receive -	DP-I	---	---
B60	GND	Power Ground	PWR GND	---	---
B61	PCIE_RX2+	PCI Express Lane 2 Receive +	DP-I	---	---
B62	PCIE_RX2-	PCI Express Lane 2 Receive -	DP-I	---	---
B63	GPO3	General Purpose Output 3	0-3.3	PD 100k	---
B64	PCIE_RX1+	PCI Express Lane 1 Receive +	DP-I	---	---
B65	PCIE_RX1-	PCI Express Lane 1 Receive -	DP-I	---	---

Pin	Signal	Description	Type	Termination	Comment
B66	WAKE0#	PCI Express Wake Event	I-3.3	PU 10k 3.3V (S5)	---
B67	WAKE1#	General Purpose Wake Event	I-3.3	PU 10k 3.3V (S5)	---
B68	PCIE_RX0+	PCI Express Lane 0 Receive +	DP-I	---	---
B69	PCIE_RX0-	PCI Express Lane 0 Receive -	DP-I	---	---
B70	GND	Power Ground	PWR GND	---	---
B71	LVDS_B0+	LVDS Channel B DAT0+	DP-0	---	---
B72	LVDS_B0-	LVDS Channel B DAT0-	DP-0	---	---
B73	LVDS_B1+	LVDS Channel B DAT1+	DP-0	---	---
B74	LVDS_B1-	LVDS Channel B DAT1-	DP-0	---	---
B75	LVDS_B2+	LVDS Channel B DAT2+	DP-0	---	---
B76	LVDS_B2-	LVDS Channel B DAT2-	DP-0	---	---
B77	LVDS_B3+	LVDS Channel B DAT3+	DP-0	---	---
B78	LVDS_B3-	LVDS Channel B DAT3-	DP-0	---	---
B79	LVDS_BKLT_EN	LVDS/EDP Panel Backlight On	O-3.3	PD 100k	---
B80	GND	Power Ground	PWR GND	---	---
B81	LVDS_B_CK+	LVDS Channel B Clock+	DP-0	---	20-80MHz
B82	LVDS_B_CK-	LVDS Channel B Clock-	DP-0	---	20-80MHz
B83	LVDS_BKLT_CTRL	LVDS/EDP Backlight Brightness Control	O-3.3	---	---
B84	VCC_5V_SBY	5V Standby	PWR 5V (S5)	---	Optional: (not necessary in single supply mode)
B85	VCC_5V_SBY	5V Standby	PWR 5V (S5)	---	
B86	VCC_5V_SBY	5V Standby	PWR 5V (S5)	---	
B87	VCC_5V_SBY	5V Standby	PWR 5V (S5)	---	
B88	BIOS_DIS1#	BIOS Selection Strap 1	I-3.3	PU 10k 3.3V (S0)	PU might be powered during suspend
B89	VGA_RED	Analog Video RGB-RED	nc	---	---
B90	GND	Power Ground	PWR GND	---	---
B91	VGA_GREEN	Analog Video RGB-GREEN	nc	---	---
B92	VGA_BLUE	Analog Video RGB-BLUE	nc	---	---
B93	VGA_HSYNC	Analog Video H-Sync	nc	---	---
B94	VGA_VSYNC	Analog Video V-Sync	nc	---	---
B95	VGA_I2C_CLK	Display Data Channel Clock	nc	---	---
B96	VGA_I2C_DATA	Display Data Channel Data	nc	---	---
B97	SPI_CS#	SPI Chip Select	O-3.3	---	---
B98	RSVD	Reserved for future use	nc	---	---
B99	RSVD	Reserved for future use	nc	---	---
B100	GND	Power Ground	PWR GND	---	---
B101	FAN_PWMOUT	Fan PWM Output	O-3.3	---	20V protection circuit implemented on module, PD on carrier board needed for proper operation
B102	FAN_TACHIN	Fan Tach Input	I-3.3	PU 47k 3.3V (S0)	20V protection circuit implemented on module

Pin	Signal	Description	Type	Termination	Comment
B103	SLEEP#	Sleep Button Input	I-3.3	PU 47k 3.3V (S5)	20V protection circuit implemented on module
B104	VCC_12V	Main Input Voltage (4.75-20V)	PWR 4.75-20V	---	---
B105	VCC_12V	Main Input Voltage (4.75-20V)	PWR 4.75-20V	---	---
B106	VCC_12V	Main Input Voltage (4.75-20V)	PWR 4.75-20V	---	---
B107	VCC_12V	Main Input Voltage (4.75-20V)	PWR 4.75-20V	---	---
B108	VCC_12V	Main Input Voltage (4.75-20V)	PWR 4.75-20V	---	---
B109	VCC_12V	Main Input Voltage (4.75-20V)	PWR 4.75-20V	---	---
B110	GND	Power Ground	PWR GND	---	---

+ and -Differential pair differentiator

5.3.3. Connector X1B Row C 1 - C 110

Table 63: Connector X1B Row C Pin Assignment (C1-C110)

Pin	Signal	Description	Type	Termination	Comment
C1	GND	Power Ground	PWR GND	---	---
C2	GND	Power Ground	PWR GND	---	---
C3	USB_SSRX0-	USB Super Speed Receive 0 -	DP-I	---	---
C4	USB_SSRX0+	USB Super Speed Receive 0 +	DP-I	---	---
C5	GND	Power Ground	PWR GND	---	---
C6	USB_SSRX1-	USB Super Speed Receive 1 -	DP-I	---	---
C7	USB_SSRX1+	USB Super Speed Receive 1 +	DP-I	---	---
C8	GND	Power Ground	PWR GND	---	---
C9	USB_SSRX2-	USB Super Speed Receive 2 -	DP-I	---	---
C10	USB_SSRX2+	USB Super Speed Receive 2 +	DP-I	---	---
C11	GND	Power Ground	PWR GND	---	---
C12	USB_SSRX3-	USB Super Speed Receive 3 -	DP-I	---	---
C13	USB_SSRX3+	USB Super Speed Receive 3 +	DP-I	---	---
C14	GND	Power Ground	PWR GND	---	---
C15	DDI1_PAIR6+	Not Connected	nc	---	---
C16	DDI1_PAIR6-	Not Connected	nc	---	---
C17	RSVD	Reserved for future use	nc	---	---
C18	RSVD	Reserved for future use	nc	---	---
C19	PCIE_RX6+	PCI Express Lane 6 Receive +	DP-I	---	---
C20	PCIE_RX6-	PCI Express Lane 6 Receive -	DP-I	---	---
C21	GND	Power Ground	PWR GND	---	---
C22	PCIE_RX7+	PCI Express Lane 7 Receive +	DP-I	---	---
C23	PCIE_RX7-	PCI Express Lane 7 Receive -	DP-I	---	---
C24	DDI1_HPD	DDI1 Hotplug Detect	I-3.3	PD 100k	
C25	DDI1_PAIR4+	Not Connected	nc	---	---
C26	DDI1_PAIR4-	Not Connected	nc	---	---
C27	RSVD	Reserved for future use	nc	---	---
C28	RSVD	Reserved for future use	nc	---	---
C29	DDI1_PAIR5+	Not Connected	nc	---	---
C30	DDI1_PAIR5-	Not Connected	nc	---	---
C31	GND	Power Ground	PWR GND	---	---
C32	DDI2_CTRLCLK_AUX+	DDI2 CTRLCLK/AUX+	I/O-3.3	PD 100k	---
C33	DDI2_CTRLDATA_AUX-	DDI2 CTRLDATA/AUX-	I/O-3.3	PU 100k 3.3V (S0)	---
C34	DDI2_DDC_AUX_SEL	DDI2 DDC/AUX select	I-3.3	PD 1M	---
C35	RSVD	Reserved for future use	nc	---	---
C36	DDI3_CTRLCLK_AUX+	DDI3 CTRLCLK/AUX+	I/O-3.3	PD 100k	---
C37	DDI3_CTRLDATA_AUX-	DDI3 CTRLDATA/AUX-	I/O-3.3	PU 100k 3.3V (S0)	---
C38	DDI3_DDC_AUX_SEL	DDI3 DDC/AUX select	I-3.3	PD 1M	---
C39	DDI3_PAIR0+	DDI3 Pair 0 +	DP-0	---	---
C40	DDI3_PAIR0-	DDI3 Pair 0 -	DP-0	---	---

Pin	Signal	Description	Type	Termination	Comment
C41	GND	Power Ground	PWR GND	---	---
C42	DDI3_PAIR1+	DDI3 Pair 1 +	DP-0	---	---
C43	DDI3_PAIR1-	DDI3 Pair 1 -	DP-0	---	---
C44	DDI3_HPD	DDI3 Hotplug Detect	I-3.3	PD100k	---
C45	RSVD	Reserved for future use	nc	---	---
C46	DDI3_PAIR2+	DDI3 Pair 2 +	DP-0	---	---
C47	DDI3_PAIR2-	DDI3 Pair 2 -	DP-0	---	---
C48	RSVD	Reserved for future use	nc	---	---
C49	DDI3_PAIR3+	DDI3 Pair 3 +	DP-0	---	---
C50	DDI3_PAIR3-	DDI3 Pair 3 -	DP-0	---	---
C51	GND	Power Ground	PWR GND	---	---
C52	PEG_RX0+	PEG Lane 0 Receive +	DP-I	---	---
C53	PEG_RX0-	PEG Lane 0 Receive -	DP-I	---	---
C54	TYPE0#	nc for type 6 module	nc	---	---
C55	PEG_RX1+	PEG Lane 1 Receive +	DP-I	---	---
C56	PEG_RX1-	PEG Lane 1 Receive -	DP-I	---	---
C57	TYPE1#	nc for type 6 module	nc	---	---
C58	PEG_RX2+	PEG Lane 2 Receive +	DP-I	---	---
C59	PEG_RX2-	PEG Lane 2 Receive -	DP-I	---	---
C60	GND	Power Ground	PWR GND	---	---
C61	PEG_RX3+	PEG Lane 3 Receive +	DP-I	---	---
C62	PEG_RX3-	PEG Lane 3 Receive -	DP-I	---	---
C63	RSVD	Reserved for future use	nc	---	---
C64	RSVD	Reserved for future use	nc	---	---
C65	PEG_RX4+	PEG Lane 4 Receive +	nc	---	---
C66	PEG_RX4-	PEG Lane 4 Receive -	nc	---	---
C67	RAPID_SHUTDOWN	Rapid Shutdown Trigger Input	nc	---	---
C68	PEG_RX5+	PEG Lane 5 Receive +	nc	---	---
C69	PEG_RX5-	PEG Lane 5 Receive -	nc	---	---
C70	GND	Power Ground	PWR GND	---	---
C71	PEG_RX6+	PEG Lane 6 Receive +	nc	---	---
C72	PEG_RX6-	PEG Lane 6 Receive -	nc	---	---
C73	GND	Power Ground	PWR GND	---	---
C74	PEG_RX7+	PEG Lane 7 Receive +	nc	---	---
C75	PEG_RX7-	PEG Lane 7 Receive -	nc	---	---
C76	GND	Power Ground	PWR GND	---	---
C77	RSVD	Reserved for future use	nc	---	---
C78	PEG_RX8+	PEG Lane 8 Receive +	nc	---	---
C79	PEG_RX8-	PEG Lane 8 Receive -	nc	---	---
C80	GND	Power Ground	PWR GND	---	---
C81	PEG_RX9+	PEG Lane 9 Receive +	nc	---	---
C82	PEG_RX9-	PEG Lane 9 Receive -	nc	---	---
C83	RSVD	Reserved for future use	nc	---	---
C84	GND	Power Ground	PWR GND	---	---
C85	PEG_RX10+	PEG Lane 10 Receive +	nc	---	---
C86	PEG_RX10-	PEG Lane 10 Receive -	nc	---	---
C87	GND	Power Ground	PWR GND	---	---

Pin	Signal	Description	Type	Termination	Comment
C88	PEG_RX11+	PEG Lane 11 Receive +	nc	---	---
C89	PEG_RX11-	PEG Lane 11 Receive -	nc	---	---
C90	GND	Power Ground	PWR GND	---	---
C91	PEG_RX12+	PEG Lane 12 Receive +	nc	---	---
C92	PEG_RX12-	PEG Lane 12 Receive -	nc	---	---
C93	GND	Power Ground	PWR GND	---	---
C94	PEG_RX13+	PEG Lane 13 Receive +	nc	---	---
C95	PEG_RX13-	PEG Lane 13 Receive -	nc	---	---
C96	GND	Power Ground	PWR GND	---	---
C97	RSVD	Reserved for future use	nc	---	---
C98	PEG_RX14+	PEG Lane 14 Receive +	nc	---	---
C99	PEG_RX14-	PEG Lane 14 Receive -	nc	---	---
C100	GND	Power Ground	PWR GND	---	---
C101	PEG_RX15+	PEG Lane 15 Receive +	nc	---	---
C102	PEG_RX15-	PEG Lane 15 Receive -	nc	---	---
C103	GND	Power Ground	PWR GND	---	---
C104	VCC_12V	Main Input Voltage (4.75-20V)	PWR 4.75-20V	---	---
C105	VCC_12V	Main Input Voltage (4.75-20V)	PWR 4.75-20V	---	---
C106	VCC_12V	Main Input Voltage (4.75-20V)	PWR 4.75-20V	---	---
C107	VCC_12V	Main Input Voltage (4.75-20V)	PWR 4.75-20V	---	---
C108	VCC_12V	Main Input Voltage (4.75-20V)	PWR 4.75-20V	---	---
C109	VCC_12V	Main Input Voltage (4.75-20V)	PWR 4.75-20V	---	---
C110	GND	Power Ground	PWR GND	---	---

+ and - Differential pair differentiator

5.3.4. Connector X1B Row D 1 - D 110

Table 64: Connector X1B Row D Pin Assignment (D1-D110)

Pin	Signal	Description	Type	Termination	Comment
D1	GND	Power Ground	PWR GND	---	---
D2	GND	Power Ground	PWR GND	---	---
D3	USB_SSTX0-	USB Super Speed Transmit 0 -	DP-0	---	---
D4	USB_SSTX0+	USB Super Speed Transmit 0 +	DP-0	---	---
D5	GND	Power Ground	PWR GND	---	---
D6	USB_SSTX1-	USB Super Speed Transmit 1 -	DP-0	---	---
D7	USB_SSTX1+	USB Super Speed Transmit 1 +	DP-0	---	---
D8	GND	Power Ground	PWR GND	---	---
D9	USB_SSTX2-	USB Super Speed Transmit 2 -	DP-0	---	---
D10	USB_SSTX2+	USB Super Speed Transmit 2 +	DP-0	---	---
D11	GND	Power Ground	PWR GND	---	---
D12	USB_SSTX3-	USB Super Speed Transmit 3 -	DP-0	---	---
D13	USB_SSTX3+	USB Super Speed Transmit 3 +	DP-0	---	---
D14	GND	Power Ground	PWR GND	---	---
D15	DDI1_CTRLCLK_AUX+	DDI1 CTRLCLK/AUX+	I/O-3.3	PD 100k	---
D16	DDI1_CTRLCLK_AUX-	DDI1 CTRLCLK/AUX-	I/O-3.3	PU 100k 3.3V (S0)	---
D17	RSVD	Reserved for future use	nc	---	---
D18	RSVD	Reserved for future use	nc	---	---
D19	PCIE_TX6+	PCI Express Lane 6 Transmit +	DP-0	---	---
D20	PCIE_TX6-	PCI Express Lane 6 Transmit -	DP-0	---	---
D21	GND	Power Ground	PWR GND	---	---
D22	PCIE_TX7+	PCI Express Lane 7 Transmit +	DP-0	---	---
D23	PCIE_TX7-	PCI Express Lane 7 Transmit -	DP-0	---	---
D24	RSVD	Reserved for future use	nc	---	---
D25	RSVD	Reserved for future use	nc	---	---
D26	DDI1_PAIR0+	DDI1 Pair 0 +	DP-0	---	---
D27	DDI1_PAIR0-	DDI1 Pair 0 -	DP-0	---	---
D28	RSVD	Reserved for future use	nc	---	---
D29	DDI1_PAIR1+	DDI1 Pair 1 +	DP-0	---	---
D30	DDI1_PAIR1-	DDI1 Pair 1 -	DP-0	---	---
D31	GND	Power Ground	PWR GND	---	---
D32	DDI1_PAIR2+	DDI1 Pair 2 +	DP-0	---	---
D33	DDI1_PAIR2-	DDI1 Pair 2 -	DP-0	---	---
D34	DDI1_DDC_AUX_SEL	DDI1 DDC/AUX select	I-3.3	PD 1M	---
D35	RSVD	Reserved for future use	nc	---	---
D36	DDI1_PAIR3+	DDI1 Pair 3 +	DP-0	---	---
D37	DDI1_PAIR3-	DDI1 Pair 3 -	DP-0	---	---
D38	RSVD	Reserved for future use	nc	---	---
D39	DDI2_PAIR0+	DDI2 Pair 0 +	DP-0	---	---
D40	DDI2_PAIR0-	DDI2 Pair 0 -	DP-0	---	---
D41	GND	Power Ground	PWR GND	---	---
D42	DDI2_PAIR1+	DDI2 Pair 1 +	DP-0	---	---

Pin	Signal	Description	Type	Termination	Comment
D43	DDI2_PAIR1-	DDI2 Pair 1 -	DP-0	---	---
D44	DDI2_HPD	DDI2 Hotplug Detect	I-3.3	PD 100k	---
D45	RSVD	Reserved for future use	nc	---	---
D46	DDI2_PAIR2+	DDI2 Pair 2 +	DP-0	---	---
D47	DDI2_PAIR2-	DDI2 Pair 2 -	DP-0	---	---
D48	RSVD	Reserved for future use	nc	---	---
D49	DDI2_PAIR3+	DDI2 Pair 3 +	DP-0	---	---
D50	DDI2_PAIR3-	DDI2 Pair 3 -	DP-0	---	---
D51	GND	Power Ground	PWR GND	---	---
D52	PEG_TX0+	PEG Lane 0 Transmit +	DP-0	---	---
D53	PEG_TX0-	PEG Lane 0 Transmit -	DP-0	---	---
D54	PEG_LANE_RV#	Not Connected	nc	---	---
D55	PEG_TX1+	PEG Lane 1 Transmit +	DP-0	---	---
D56	PEG_TX1-	PEG Lane 1 Transmit -	DP-0	---	---
D57	TYPE2#	GND for type 6 module	PWR	---	---
D58	PEG_TX2+	PEG Lane 2 Transmit +	DP-0	---	---
D59	PEG_TX2-	PEG Lane 2 Transmit -	DP-0	---	---
D60	GND	Power Ground	PWR GND	---	---
D61	PEG_TX3+	PEG Lane 3 Transmit +	DP-0	---	---
D62	PEG_TX3-	PEG Lane 3 Transmit -	DP-0	---	---
D63	RSVD	Reserved for future use	nc	---	---
D64	RSVD	Reserved for future use	nc	---	---
D65	PEG_TX4+	PEG Lane 4 Transmit +	nc	---	---
D66	PEG_TX4-	PEG Lane 4 Transmit -	nc	---	---
D67	GND	Power Ground	PWR GND	---	---
D68	PEG_TX5+	PEG Lane 5 Transmit +	nc	---	---
D69	PEG_TX5-	PEG Express Lane 5 Transmit -	nc	---	---
D70	GND	Power Ground	PWR GND	---	---
D71	PEG_TX6+	PEG Lane 6 Transmit +	nc	---	---
D72	PEG_TX6-	PEG Lane 6 Transmit -	nc	---	---
D73	GND	Power Ground	PWR GND	---	---
D74	PEG_TX7+	PEG Lane 7 Transmit +	nc	---	---
D75	PEG_TX7-	PEG Lane 7 Transmit -	nc	---	---
D76	GND	Power Ground	PWR GND	---	---
D77	RSVD	Reserved for future use	nc	---	---
D78	PEG_TX8+	PEG Lane 8 Transmit +	nc	---	---
D79	PEG_TX8-	PEG Lane 8 Transmit -	nc	---	---
D80	GND	Power Ground	PWR GND	---	---
D81	PEG_TX9+	PEG Lane 9 Transmit +	nc	---	---
D82	PEG_TX9-	PEG Lane 9 Transmit -	nc	---	---
D83	RSVD	Reserved for future use	nc	---	---
D84	GND	Power Ground	PWR GND	---	---
D85	PEG_TX10+	PEG Lane 10 Transmit +	nc	---	---
D86	PEG_TX10-	PEG Lane 10 Transmit -	nc	---	---
D87	GND	Power Ground	PWR GND	---	---
D88	PEG_TX11+	PEG Lane 11 Transmit +	nc	---	---
D89	PEG_TX11-	PEG Lane 11 Transmit -	nc	---	---

Pin	Signal	Description	Type	Termination	Comment
D90	GND	Power Ground	PWR GND	---	---
D91	PEG_TX12+	PEG Lane 12 Transmit +	nc	---	---
D92	PEG_TX12-	PEG Lane 12 Transmit -	nc	---	---
D93	GND	Power Ground	PWR GND	---	---
D94	PEG_TX13+	PEG Lane 13 Transmit +	nc	---	---
D95	PEG_TX13-	PEG Lane 13 Transmit -	nc	---	---
D96	GND	Power Ground	PWR GND	---	---
D97	RSVD	Reserved for future use	nc	---	---
D98	PEG_TX14+	PEG Lane 14 Transmit +	nc	---	---
D99	PEG_TX14-	PEG Lane 14 Transmit -	nc	---	---
D100	GND	Power Ground	PWR GND	---	---
D101	PEG_TX15+	PEG Lane 15 Transmit +	nc	---	---
D102	PEG_TX15-	PEG Lane 15 Transmit -	nc	---	---
D103	GND	Power Ground	PWR GND	---	---
D104	VCC_12V	Main Input Voltage (4.75-20V)	PWR 4.75-20V	---	---
D105	VCC_12V	Main Input Voltage (4.75-20V)	PWR 4.75-20V	---	---
D106	VCC_12V	Main Input Voltage (4.75-20V)	PWR 4.75-20V	---	---
D107	VCC_12V	Main Input Voltage (4.75-20V)	PWR 4.75-20V	---	---
D108	VCC_12V	Main Input Voltage (4.75-20V)	PWR 4.75-20V	---	---
D109	VCC_12V	Main Input Voltage (4.75-20V)	PWR 4.75-20V	---	---
D110	GND	Power Ground	PWR GND	---	---

+ and - Differential pair differentiator

5.4. Bootstrap Signals

Table 65: Bootstrap Signals

Pin	Signal	Description	Type	Termination	Comment
A95	SPI_MOSI	SPI Master Out Slave In	0–3.3	PU 4k7	The internal PU is disabled during reset
B15	SMB_ALERT#	SMBus Alert	I/O–3.3	PU 2k26	
B32	HDA_SPKR	Speaker	0–3.3	PD 20k +/- 30% in PCH	PD is enabled until reset is deasserted
A33	HDA_SDOUT	HD Audio Serial Data Out	0–3.3	PD 20k in PCH	Flash Descriptor
B47	ESPI_UN#	[Enable/Disable] ESPI-Mode	I–3.3		
A34	BIOS_DIS0#/ESPI_S AFS	BIOS Selection Strap 0	I–3.3	PU 10k 3.3 V (S5)	
B88	BIOS_DIS1#	BIOS Selection Strap 1	I–3.3	PU 10k 3.3 V (S0)	PU might be powered during suspend

NOTICE

Bootstrap signals are often used as a configuration strap for the modules chipset. They should not be connected to a pull-up or pull-down resistor, which could overwrite the internal chipset and result in a malfunction of the module.

6/ UEFI BIOS

6.1. Starting the UEFI BIOS

The COMe-cTL6 uses a Kontron-customized, pre-installed and configured version of Aptio® V UEFI BIOS based on the Unified Extensible Firmware Interface (UEFI) specification.



The BIOS version covered in this document might not be the latest version. The latest version might have certain differences to the BIOS options and features described in this chapter.



Register for the EMD Customer Section to get access to BIOS downloads and PCN service.

The UEFI BIOS comes with a Setup program that provides quick and easy access to the individual function settings for control or modification of the UEFI BIOS configuration. The Setup program allows for access to various menus that provide functions or access to sub-menus with further specific functions of their own.

To start the UEFI BIOS Setup program, follow the steps below:

1. Power on the board.
2. Wait until the first characters appear on the screen (POST messages or splash screen).
3. Press the key.
4. If the UEFI BIOS is password-protected, a request for password will appear. Enter either the User Password or Supervisor Password press <RETURN>, and proceed with step 5.
5. A Setup menu appears.

The COMe-cTL6 UEFI BIOS Setup program uses a hot key navigation system. The hot key legend bar is located at the bottom of the Setup screens. The following table provides a list of navigation hot keys available in the legend bar.

Table 66: Navigation Hot Keys Available in the Legend Bar

Sub-screen	Description
<F1>	<F1> key invokes the General Help window
<->	<Minus> key selects the next lower value within a field
<+>	<Plus> key selects the next higher value within a field
<F2>	<F2> key loads previous values
<F3>	<F3> key loads optimized defaults
<F4>	<F4> key Saves and Exits
<←> or <→>	<Left/Right> arrows selects major Setup menus on menu bar, for example, Main or Advanced
<↑> or <↓>	<Up/Down> arrows select fields in the current menu, for example, Setup function or sub-screen
<ESC>	<ESC> key exits a major Setup menu and enters the Exit Setup menu Pressing the <ESC> key in a sub-menu displays the next higher menu level
<RETURN>	<RETURN> key executes a command or selects a submenu

6.2. The UEFI Shell

The Kontron UEFI BIOS features a built-in and enhanced version of the UEFI Shell. For a detailed description of the available standard shell scripting, refer to the EFI Shell User Guide. For a detailed description of the available standard shell commands, refer to the EFI Shell Command Manual. Both documents can be downloaded from the EFI and Framework Open Source Community homepage (<http://sourceforge.net/projects/efi-shell/files/documents/>).



Kontron UEFI BIOS does not provide all shell commands described in the EFI Shell Command Manual.

6.2.1. Basic Operation of the UEFI Shell

The UEFI Shell forms an entry into the UEFI boot order and is the first boot option by default.

6.2.1.1. Entering the UEFI Shell

To enter the UEFI Shell, follow the steps below:

1. Power on the board.
1. Press the <F7> key (instead of) to display a choice of boot devices.
2. Choose 'UEFI: Built-in EFI shell'.

```
EFI Shell version 2.40 [5.11]
Current running mode 1.1.2
Device mapping table
Fs0      :HardDisk - Alias hd33b0b0b fs0
          Acpi(PNP0A03,0)/Pci(1D|7)/Usb(1, 0)/Usb(1, 0)/HD(Part1,Sig17731773)
```

Press the ESC key within 5 seconds to skip startup.nsh, and any other key to continue.

3. The output produced by the device-mapping table can vary depending on the board's configuration.
4. If the ESC key is pressed before the 5 second timeout elapses, the shell prompt is shown:

```
Shell>
```

6.2.1.2. Exiting the UEFI Shell

To exit the UEFI Shell, follow one of the steps below:

1. Use the **exit** UEFI Shell command to select the boot device, in the Boot menu, that the OS will boot from.
2. Reset the board using the **reset** UEFI Shell command.

6.3. UEFI Shell Scripting

6.3.1. Startup Scripting

If the ESC key is not pressed and the timeout has run out then the UEFI Shell tries to execute some startup scripts automatically. It searches for scripts and executes them in the following order:

1. Initially searches for Kontron flash-stored startup script.
2. If there is no Kontron flash-stored startup script present then the UEFI -specified `startup.nsh` script is used. This script must be located on the root of any of the attached FAT formatted disk drive.
3. If none of the startup scripts are present or the startup script terminates then the default boot order is continued.

6.3.2. Create a Startup Script

Startup scripts can be created using the UEFI Shell built-in editor `edit` or under any OS with a plain text editor of your choice. To create a startup shell script, simply save the script on the root of any FAT-formatted drive attached to the system. To copy the startup script to the flash, use the **kBootScript** UEFI Shell command.

In case there is no mass storage device attached, the startup script can be generated in a RAM disk and stored in the SPI boot flash using the **kRamdisk** UEFI Shell command.

6.3.3. Examples of Startup Scripts

6.3.3.1. Execute Shell Script on other Harddrive

This example (`startup.nsh`) executes the shell script named `bootme.nsh` located in the root of the first detected disc drive (`fs0`).

```
fs0:
bootme.nsh
```

6.4. Setup Menus

The Setup utility features menus listed in the selection bar at the top of the screen are:

- ▶ Main
- ▶ Advanced
- ▶ Chipset
- ▶ Security
- ▶ Boot
- ▶ Save & Exit

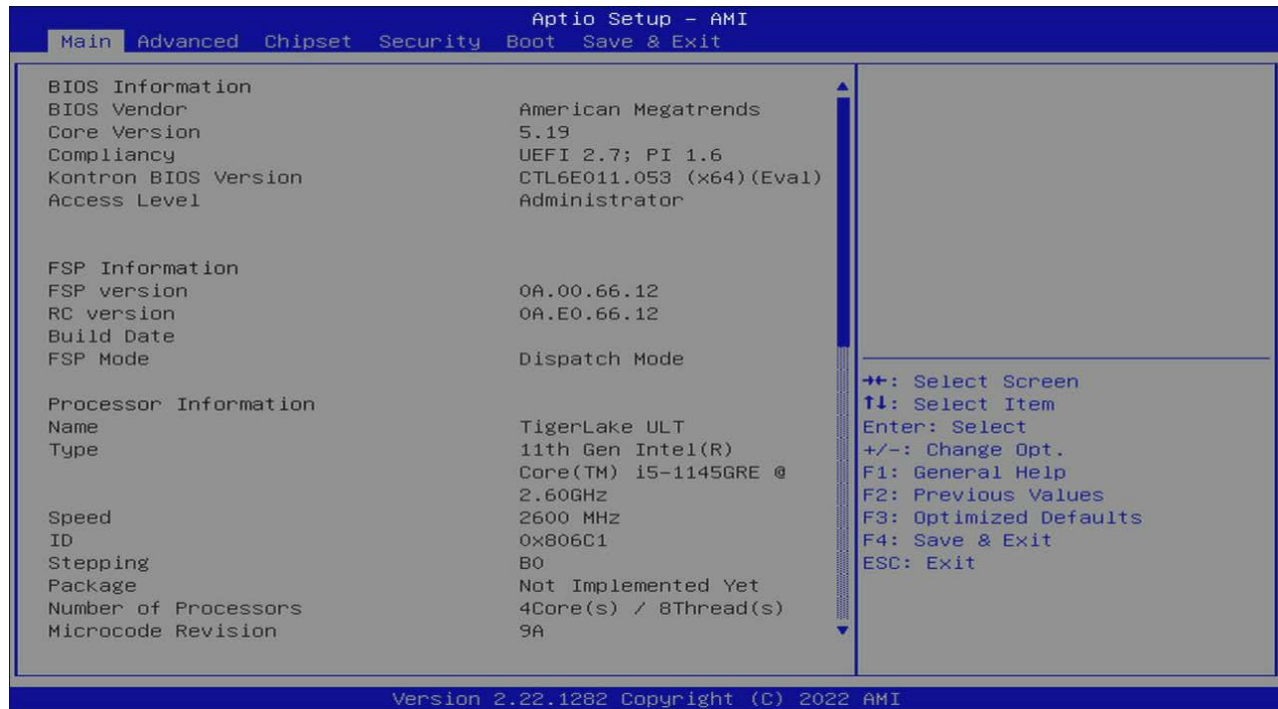
The currently active menu and the currently active UEFI BIOS Setup item are highlighted in white. Use the left and right arrow keys to navigate to the required Setup menu and select the Setup menu by pressing <RETURN>.

Each Setup menu provides two main frames. The left frame displays all available functions. Configurable functions are displayed in blue. Functions displayed in grey provide information about the status or the operational configuration. The right frame displays a Help window providing an explanation of the respective function.

6.4.1. Main Setup Menu

On entering the UEFI BIOS the Setup program displays the Main Setup menu. This screen lists the Main Setup menu sub-screens and provides basic system information as well as functions for setting the system language, time and date.

Figure 15: Main Setup Menu



The following table shows the Main Menu sub-screens and functions and describes the content. Default options are displayed **bold**. Some functions include additional information.

Table 67: Main Setup Menu Sub-screens

Sub-Screen	Description
BIOS Information	Read only field <i>Displays BIOS Information:</i> BIOS vendor, Core version, Compliancy, Kontron BIOS Version and Access level
FSP Information	Read only field <i>Displays FSP Information:</i> FSP Version, Build Date, FSP Mode
Processor Information	Read only field <i>Displays Processor Information:</i> Name, Type, Speed, ID, Stepping, Package, Number of Processors, Microcode Revision, GT Info, eDRAM Size IGFX GOP Version, PCIe GEN4 Dekel FW Version, Memory RC Version, Total Memory, Memory Speed
PCH Information	Read only field <i>Displays PCH Information:</i> Name, SKU, Stepping, Base Revision, OEM Revision, Package, TXT Capability, Production Type, ME FW Version, ME Firmware SKU, PMC FW Version
System Language	Chooses the System default language [English]

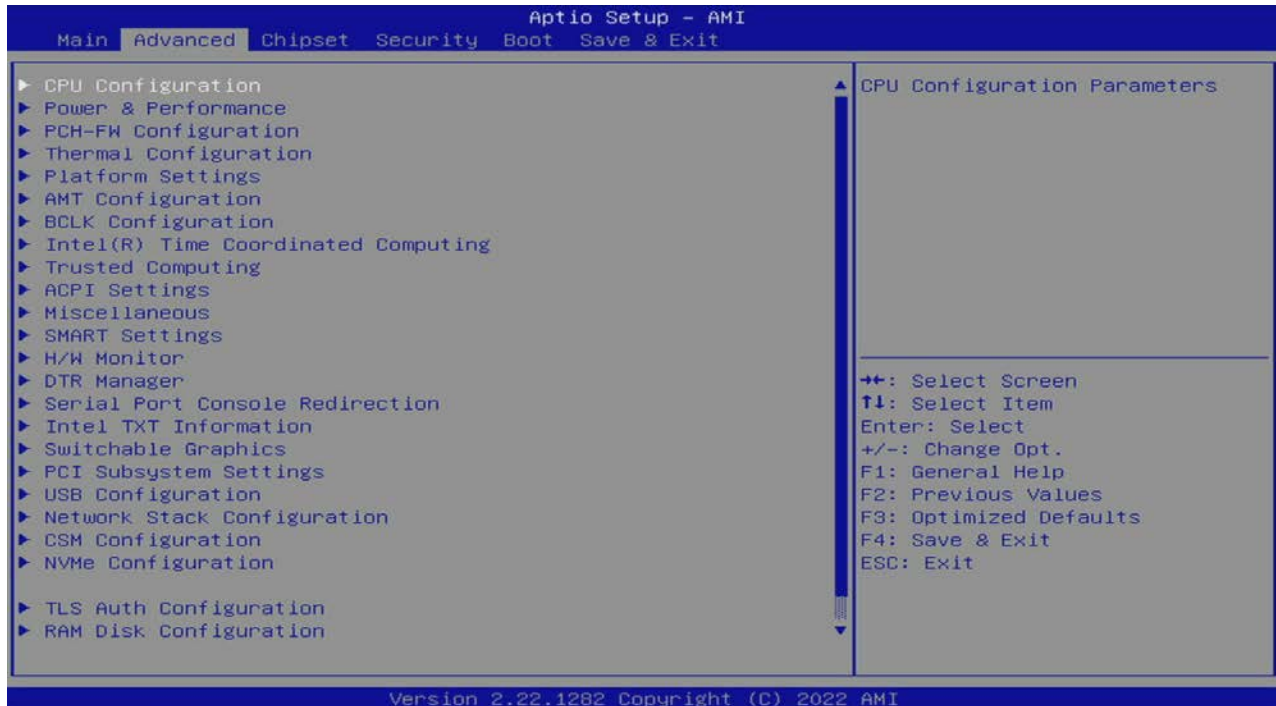
Sub-Screen	Description
Platform Information	<p>Read only field</p> <p><i>Displays Module Information</i></p> <p>Product Name, Revision, Serial # ,MAC Address, Boot Counter, and CPLD Rev</p> <p>Additional information for MAC Address</p> <p>The MAC address entry is the value used by the Ethernet controller and may contain the entry 'Inactive' - Ethernet chip is inactive.</p> <p>Activate the Ethernet chip by setting the following to 'enable'.</p> <p>Advanced > Network Stack Configuration > Network Stack > Enable</p>
System Date	<p>Displays the system date</p> <p>[Day mm/dd/yyyy]</p>
System Time	<p>Displays the system time</p> <p>[hh:mm:ss]</p>

6.4.2. Advanced Setup Menu

The Advanced Setup menu provides sub-screens and second level sub-screens with functions for advanced configuration.

NOTICE Setting items, on this screen, to incorrect values may cause system malfunctions.

Figure 16: Advanced Setup Menu



The following table shows the Advanced sub-screen and describes the function. Default settings are in **bold**.

Table 68: Advanced Setup menu Sub-screens and Functions

Sub-Screen	Function	Second level Sub-Screen/Description
CPU Configuration>	Read only field CPU Information : Type, ID, Speed, L1 Data Cache, L1 Instruction Cache, L2 Cache, L3 Cache, L4 Cache, VMX, SMX/TXT	
	C6DRAM	Moving DRAM contents to PRM memory when CPU is in C6 state [Enabled , Disabled]
	CPU Flex Ratio Override	CPU Flex Ratio Programming [Enabled, Disabled]
	CPU Flex Settings	26
	Intel (VMX) Virtual Technology	When enabled VMM can utilize the additional hardware capabilities provided by Vanderpool Technology [Enabled , Disabled]
	Active Processor Cores	Number of cores to enable in each processor package [All , 1, 2, 3]
	Hyper Threading	[Enabled , Disabled]
	BIST	[Enabled, Disabled]

Sub-Screen	Function	Second level Sub-Screen/Description		
CPU Configuration>	AES	[Enabled, Disabled]		
	RaceConditionResponse Policy	[Enabled, Disabled]		
Power & Performance>	CPU Power Management Control>	Boot performance mode	[Max Battery, Max Non-Turbo Performance, Turbo Performance]	
		Intel SpeedStep™	Allows more than two frequency ranges to be supported. [Enabled, Disabled]	
		Intel Speed Shift Technology	Enable exposes CPPC v2 interface to allow for hardware controlled p-states. [Enabled, Disabled]	
		Per Core P State OS control mode	Disable set Bit 31 =1 command 0x06. When set the highest core request is used for all other core requests. [Enabled, Disabled]	
		HwP Autonomous Per Core P State	Disable requests the same value for all cores all the time. [Enabled, Disabled]	
		HwP Autonomous EPP Grouping	Autonomous will not necessarily request same values for all cores with same EPP. [Enable, Disabled]	
		EPB override over PECl	Enable by sending pcode command 0x2b, subcommand 0x3 to 1. This allows OOB EPB PECl override control. [Enable, Disabled]	
		HwP Fast MSR Support	Support for IA32_HWP_REQUEST MSR [Enabled, Disabled]	
		Turbo Mode	Note: Requires EMTTM to be enabled. AUTO means enabled. [Enabled, Disabled]	
		View/Configure Turbo Options>	Read only field Current Turbo Settings: Max Turbo Power Limit, Min Turbo Power Limit, Package TDP Limit, Power Limit 1 / 2 and 1 to 64 Core Turbo Ratio Limit Ratio. (TRLR).	
			Energy Efficient P-State	[Enabled, Disabled]
			Package Power Limit MSR	Enable to lock. A reset is required to unlock the register. [Enabled, Disabled]
			1-Core Turbo Ratio Limit Ration (TRLR) Override [41]	
2-Core Turbo Ratio Limit Ration (TRLR) Override [41]				
3-Core Turbo Ratio Limit Ration (TRLR) Override [39]				

Sub-Screen	Function	Second level Sub-Screen/Description		
Power & Performance>	CPU Power Management Control>	View/Configure Turbo Options>	4-Core Turbo Ratio Limit Ration (TRLR) Override [39]	
			Energy Efficient Turbo	Lowers turbo frequency to increase efficiency. [Enabled, Disabled]
		Config TDP Configurations>	Enable Configurable TDP	[Applies to non-cTDP, Applies to cTDP]
			Configurable TDP Boot Mode	[Nominal, Down, Up, Deactivate]
			Configurable TDP Lock	[Enabled, Disabled]
			Custom settings Nominal ConfigTDP Nominal Ratio: 26, TAR: 25, PL1:28.0W	
			Power Limit 1/2	[0]
			Power Limit 1Time Window	[0]
			ConfigTDP Turbo Activation	[0]
			Custom settings Down ConfigTDP Level1 Ratio: 11, TAR: 14, PL1:15.0W	
			Power Limit 1/2	[0]
			Power Limit 1 Time Window	[0]
			ConfigTDP Turbo Activation	[0]
			Custom settings Up ConfigTDP Level2 Ratio: 15 TAR: 14 PL1:15.0W	
			Power Limit 1/2	[0]
			Power Limit 1 Time Window	[0]
		Platform PL1	PL1 value defines the CPU's average TDP mode consumption power; when disabled CPU uses default PL1 values. [Enabled, Disabled]	
		Platform PL2	PL2 value defines the CPU's average TDP mode consumption power; when disabled CPU uses default PL2 values. [Enabled, Disabled]	
		Platform PL4 Override	PL4 defines the overall peak consumption power (ICCmax) of the CPU. If disabled CPU uses default PL4 values. [Enabled, Disabled]	

Sub-Screen	Function	Second level Sub-Screen/Description	
Power & Performance>	CPU Power Management Control>	C States	CPU power management. Allows CPU to enter C states when not 100% utilized. Values beyond the range clipped to min/max supported by SKU. [Enabled, Disabled]
		Package C State Limit	Maximum C State limit setting, where AUTO initializes to deepest available package C State limit. [Auto, CPU Default, C0/C1, C2,.....C10]
	GT Power Management Control>	RC6 (Render Standby)	Check to enable render standby support. [Enabled, Disabled]
		Maximum GT frequency	Values beyond the range clipped to min/max supported by SKU. [Default Max Frequency, 100 MHz, 150 MHz, ...1200 MHz]
		Prevent Turbo on GT frequency	Enable to disable the Turbo GT when disabled GT frequency is not limited. [Enabled, Disabled]
	PCH-FW Configuration>	Firmware Update Configuration>	Me FW Image Re-Flash
FW Update			[Enabled]
PTT Configuration>		TPM Device Selection	[dTPM]
Extended CSME Measuremnet to TPM_PCR>		[Disable]	
Thermal Configuration>	Use Generic Thermal Functions>	[Enable/Disable]	
	CPU Thermal Configuration>	DTS SMM	Disabled: uses HWM reported temperature values Enabled: uses DTS SMM mechanism to obtain CPU temperature values Out of spec: uses HWM and DTS SMM [Disabled, Enabled, Critical Temp Reporting (out of Spec)]
		TCC Activation Offset	Sets temperature at which TCC must be activated (range: 0 to 63). [0]
		Disable PROCHOT# Output	[Enabled, Disabled]
	Platform Thermal Configuration>	Critical Trip Point	The point at which the OS begins to shut the system off. [130 C, 119 C (POR)...15 C]
		Passive Trip Point	The point at which the OS begins to throttling the processor. [119 C (POR), 95 C, ...15 C, Disabled]
		Passive TC1 value	TC1 value for ACPI passive cooling formula (range: 1 to 16). [1]

Sub-Screen	Function	Second level Sub-Screen/Description		
Thermal Configuration>	Platform Thermal Configuration>	Passive TC2 value	TC2 value for ACPI passive cooling formula (range: 1 to 16) [5]	
		Passive TSP value	Sets TSP value for ACPI passive cooling formula (range: 2 to 32). Represent in tenths of second how often the temperature is read when passive cooling is enabled. [10]	
		Passive Trip Points	[Enabled, Disabled]	
		Critical Trip Point	[Enabled, Disabled]	
		Boot DTS Read	Read PCH, CPU DTS Temperature and Publish via SMBIOS table	
Platform Settings>	iPCM Mode	Sets where the power date is read from. [Disabled, Dongle Mode, Online PCH Mode, Online ISH Mode]		
	Firmware Configuration	[Ignore Policy Update, Production, Test]		
	PS2 Keyboard and Mouse	[Enabled, Disabled]		
	Power Loss Notification Feature	[Enabled, Disabled]		
	Intel Trusted Device Setup Boot	[Enabled, Disabled]		
	PMC Fast Boot	[Enabled, Disabled]		
AMT Configuration>	USB Provisioning of AMT	[Enabled, Disabled]		
	MAC Pass Through	[Enabled, Disabled]		
	CIRA Configuration>	Activate Remote Assistance Process	Triggers CIRA boot. Note: First access must be activated from MEBX setup. [Enabled, Disabled]	
		CIRA Timeout	0	
	ASF Configuration>	PET progress	[Enabled, Disabled]	
		Watchdog	[Enabled, Disabled]	
		OS Timer	0	
		BIOS Timer	0	
		ASF Sensors Table	Adds ASF sensor table into ASF ACPI Table. [Enabled, Disabled]	
	Secure Erase Configuration>	Secure Erase Mode	Changes Secure Erase Module behavior, where Simulate performs SE flow without erasing SSD and Real: erases SSD. [Simulate, Real]	
		Force Secure Erase	Force Secure Erase on next boot. [Enabled, Disabled]	
	OEM Flag Settings>	MEBx hotkey Pressed	OEM Flag Bit 1 enables automatics MEBx hotkey. [Enabled, Disabled]	

Sub-Screen	Function	Second level Sub-Screen/Description	
AMT Configuration>	OEM Flag Settings>	MEBx Selection Screen	OEM Flag Bit 2 enables MEBx selection screen with two options: (1) To enter ME Configuration Screen (2) Initiate remote connection. Note: Network access must be activated from MEBx setup for this screen to be displayed. [Enabled, Disabled]
		Hide Unconfigure ME Confirmation Prompt	OEM Flag Bit 6: Hides the prompt when attempting ME unconfiguration. [Enabled, Disabled]
		MEBx OEM Debug Menu Enable	OEM flag Bit 14, Enable OEM debug menu in MEBx. [Enabled, Disabled]
		Unconfigure ME	OEM Flag Bit 15: Unconfigure ME with resetting MEBx password to default [Enabled, Disabled]
	MEBx Resolution Settings>	Non-UI Mode Resolution	[Auto , 80x25, 100x31]
		UI Mode Resolution	[Auto , 80x25, 100x31]
		Graphics Mode Resolution	[Auto , 640x480, 800x600, 1024x768]
BCLK Configuration>	BCLK Source Config	Selects which BCLK configuration to use. [CPU BCLK , PCH BCLK]	
	BCLK RFI Frequency SAGV Low	Frequency in 10 KHz increments (range: 0 MHz to 98-100 MHz) [0]	
	BCLK RFI Frequency SAGV Mid	Frequency in 10 KHz increments (range: 0 MHz to 98-100 MHz) [0]	
	BCLK RFI Frequency SAGV High	Frequency in 10 KHz increments (range: 0 MHz to 98-100 MHz) [0]	
	BCLK RFI Frequency SAGV Max	Frequency in 10 KHz increments (range: 0 MHz to 98-100 MHz) [0]	
	BCLK Spread	When enabled BCLK frequency runs at a non-configurable fixed spread percentage. [Enabled , Disabled]	
Intel® Time Coordinated Computing>	#AC Split Lock	Enable asserts #AC when atomic operation has operand crossing two cache lines [Enabled, Disabled]	
	IFU State	Enable allows instruction prefetch to the cache. [Enabled, Disabled]	
	Software SRAM	Enable allocates one way of LLC. If cache configuration sub-region is available, it allocates based on sub-region. Enabled, Disabled]	
	Data Streams Optimizer	Enable utilizes DSO sub-region to tune system. [Enabled, Disabled]	

Sub-Screen	Function	Second level Sub-Screen/Description		
Intel® Time Coordinated Computing>	Error Log	Enable logs errors related to Intel® TCC and saves to memory. [Enabled, Disabled]		
	Intel® TCC Authentication Menu>	Intel® TCC Authentication	Determines key to be used, non-OEM enrolled key can be added by user. [Disabled, Non-OEM Enrolled Key, OEM Enrolled Key]	
	Intel® TCC Mode	Enable modifies setting to improve real-time performance. [Enabled, Disabled]		
	Intel® TCC Mode Affected Settings			
	IO Fabric Low Latency	Turns off some power management in PCH IO fabrics. S3 state is not supported. [Enabled, Disabled]		
	GT Loss	Enable reduces Gfx LCC allocation to minimize impact of Gfx workload on LLC. [Enabled, Disabled]		
	OPIO Recentering	Enable or disable Opio recentering to improves PCIe latency. [Enabled, Disabled]		
	C States	Enable allows CPU to enter c states when it is no 100% utilized. [Enabled, Disabled]		
	Intel Speed ShiftTechnology	Enable exposes CPPC V2 interface to allow for hardware controlled P-states. [Enabled, Disabled]		
	Intel SpeedStep™	Enable allows more than two frequency ranges to be supported. [Enabled, Disabled]		
	Hyper-Threading	Enables or disables the Hyper-Threading Technology. [Enabled, Disabled]		
	ACPI D3Cold Support	ACPI D3Cold support to be executed on D3 entry and exit. [Enabled, Disabled]		
	Low Power S0 Idle Capability	Chooses the power saving states the system uses in ACPI OS. ACPI Energy save option: S3/S4 (Disabled) und S0iX (Enabled). [Enabled, Disabled]		
	WRC Feature	Enable supports IO devices allocated onto the ring and into LLC. [Enabled, Disabled]		
	vCRt mapping to PEG	Enables vCRt mapping to PRG. [Enabled, Disabled]		
	Page Close Idle Timeout	Page Close Idle Timeout Control		
	Power Down Mode	CKE Power Down Mode Control		
	RC6 (Render Standby)	[Enabled, Disabled]		
	DMI Link ASPM Control	See Chipset> PCI Express Configuration		
	PCI Express Clock Gating	See Chipset> PCI Express Configuration		
	Legacy IO Low Latency	Enable sets low latency of legacy IO [Enabled, Disabled]		
	CPU PCI Express Configuration>	PCI Express Root Port 1>	ASPM	[Disabled, L1]
L1 Substates			[Disabled, L1.1, L1.1 & L1.2]	

Sub-Screen	Function	Second level Sub-Screen/Description		
Intel® Time Coordinated Computing>	PCH PCI Express Configuration>	PCI Express Root Port 5, 6, 7, 8, 9, 10>	ASPM	[Disabled, L0s, L1, L0sL1, Auto]
Trusted Computing>	Read only Field TPM 2.0 Device Found, Firmware Version and Vendor.			
	Security Device Support	BIOS support for security devices. OS will not show security device. TCG EFI protocol and INT1A interface not available. [Enabled, Disabled]		
	Active PCR banks	SHA256		
	Available PCT bank	SHA256		
	SHA256 PCR Bank	[Enabled, Disabled]		
	Pending Operation	Schedule an operation for your security device. Note: reboots during restart to change state of security device. [None, TPM Clear]		
	Platform Hierarchy	[Enabled, Disabled]		
	Storage Hierarchy	[Enabled, Disabled]		
	Endorsement Hierarchy	[Enabled, Disabled]		
	Physical Presence Spec Version	Selects OS support for PPI Spec version 1.2 or 1.3. Note: some HCK test might not support 1.3. [1.2, 1.3]		
	TPM 2.0 Interface Type	[TIS]		
	Device Select	Auto supports both with the default set to TPM 2.0. [TPM 1.2, TPM 2.0, Auto]		
ACPI settings>	ACPI Auto Configuration>	Enables or disables BIOS ACPI Auto Configuration [Enabled, Disabled]		
	Hibernation>	System ability to hibernate (OS/S4 sleep State). Note: This option may not be effective with some operating systems. [Enabled, Disabled]		
	ACPI Sleep State	Highest ACPI sleep state the system enters when the suspend button pressed. [Suspend Disabled, S3 Suspend to RAM]		
	S3 Video Repost>	[Enabled, Disabled]		
	Low Power S0 Idle Capability	ACPI Energy save option: S3/S4 (Disabled) und S0iX (Enabled). [Enabled, Disabled]		
Miscellaneous>	Generic eSPI Decode Ranges>	Generic LPC via eSPI Decode 1	Generic LPC via eSPI decode range. [Enabled, Disabled]	
	Watchdog>	Auto-reload	Automatic reload of watchdog timers on timeout. [Enable, Disabled]	
		Global Lock	Enable sets watchdog registers (except WD_Kick) to read only until board is reset. [Enabled, Disabled]	
		Stage 1 Mode	Selects action for this watchdog phase. [Disabled, Reset, delay, WDT Signal only]	
	Reset Button Behavior	[Chipset Reset, Power Cycle]		

Sub-Screen	Function	Second level Sub-Screen/Description
Miscellaneous>	I2C Speed	Speed in kHz (range: 1 kHz to 400 kHz), default 200 KHz [200]
	Onboard I2C Mode	[Multimaster , Busclear]
	Manufacturing Mode	[Disabled]
	BIOS Test Mode	[Disabled]
	Lid Switch Mode	Show or hide inside ACPI OS [Enabled, Disabled]
	Sleep Button Mode	Show or hide inside ACPI OS [Enabled, Disabled]
	ACPI temperature polling	Set mode for temperature polling through OSPM, 0 (disabled) and 1 (enabled). [Enabled , Disabled]
	TZ00 temperature polling	Interval in seconds between two temperature measurements in ACPI thermal zone. (00, Ambient temperature) [30]
	Create ACPI AC adaptor	Creates an ACPI AC adapter device, with virtual battery even on non-battery systems. [Enabled , Disable]
	SMBus device ACPI mode	Hidden: hides SMBus device from OS Normal: visible [Hidden, Normal]
	CPLD device ACPI mode	Hidden: hides CPLD device from OS Normal: visible [Hidden, Normal]
	SPI lines active	Chooses whether SPI or GSPI lines are routed through COMe. [SPI , GSPI]
	Control COMe GPIOs in BIOS	GPIO control in BIOS. If disabled GPIO are not touched by BIOS. [Enabled, Disabled]
	GPIO IRQ#	Sets IRQ number to trigger by the CPLD on GPIO event. [Disabled , IRQ 5, IRQ 7, IRQ 12, IRQ 14, IRQ 15]
	I2C IRQ#	Sets IRQ number to trigger by the CPLD on I2C event. [Disabled , IRQ 5, IRQ 7, IRQ 12, IRQ 14, IRQ 15]
	Local FW Update	Allows BIOS re-flashing as far as Relax Security Configuration is set as enabled. Note: Only valid for one reset cycle! [Enabled, Disabled]
Last system reset through	[Power-on Reset]	
SMART Settings>	SMART Self Test	Run SMART Self Test on all HDDs during Post. [Enabled, Disabled]
H/W Monitor>	CPU Temperature	[49 C]
	Module Temperature	[28 C]
	CPU Fan	Displays CPU fan speed in RPM
	Fan Control	Sets the CPU fan control mode. Disable stops the fan totally [Auto , Disabled, Manual]

Sub-Screen	Function	Second level Sub-Screen/Description		
H/W Monitor>	Fan Pulse	Number of pulse the fan produces during one revolution [2]		
	Fan Trip Point	Temperature where fan accelerates (range: 20 to 80 C) [50]		
	Trip Point Speed	Fan speed at trip point in %. Minimum value is 30%. Fan always runs at 100% at TJmax 10 C. [50]		
	Reference Temperature	Determines the temperature source for automatic fan control. [Module Temperature, CPU Temperature]		
	External Fan	Displays External Fan speed RPM (If connected)		
	Fan Control	Sets external fan control mode. Disable stops the fan totally [Auto, Disabled, Manual]		
	Fan Pulse	Number of pulse the fan produces during one revolution [2]		
	Fan Trip Point	Temperature where fan accelerates (range: 20 to 80 C) [50]		
	Trip Point Speed	Fan speed at trip point in %. Minimum value is 30%. Fan always runs at 100% at TJmax 10 C. [50]		
	Reference Temperature	Determines the temperature source for automatic fan control. [Module Temperature, CPU Temperature]		
	5.0V Standby	4.57 V		
	Batt Volt at COMe Pin	2.92 V		
	Widerrange VCC	12.01 V		
DTR Manager>	Intel® Dynamic Temperature Range			
	CPU Temperature	Displayed in °C		
	CPU T0 Temperature	Displayed in °C		
	PCH Temperature	Displayed in °C		
	PCH T0 Temperature	Displayed in °C		
	DTR value / CPU	Displayed in °C		
	DTR value / PCH	Displayed in °C		
Serial Port Console Redirection>	COM0 Console Redirection	COM port 0 console redirection enable or disable. [Enabled, Disabled]		
	COM1 Console Redirection	COM port 1 console redirection enable or disable. [Enabled, Disabled]		
	Legacy Console Redirection>	Redirection COM Port	Selects a COM port to display redirection of legacy OS and Legacy OPROM messages [COM0 (PCI Bus0, Dev30, Func0, Port1), COM1 (PCI Bus0, Dev30, Func1, Port1)]	
		Resolution	[80x24, 80x25]	
	Console Redirection EMS	Serial port for Out-Of-Band Management Windows Emergency Management Services (EMS) console redirection enable or disable. [Enabled, Disabled]		

Sub-Screen	Function	Second level Sub-Screen/Description
Intel TXT Information>	Read only field Chipset, BiosAcm, Chipset Txt, CPU Txt, Error code, Class code, Major code and Minor code	
Switchable Graphics>	SG Mode Select	Muxless
PCI Subsystem Settings	PCI Settings Common for all Devices	
	Re-Size BAR Support	If Resizable BAR capable PCIe devices are present, this option enables or disables Resizable BAR Support. [Enabled, Disabled]
	BME DMA Mitigation	Re-enables Bus Master Attribute disabled during PCI enumeration for PCI Bridges after SMM Locked. [Enabled, Disabled]
	Warning: Changing PCI Device(s) settings may have unwanted side effects! System may HANG! PROCEED WITH CAUTION	
USB Configuration>	Read Only Field USB Configuration: USB Module Version, USB Controllers (2 XHCIs) USB Devices (drives, keyboard, mouse, hub)	
	Legacy USB Support	Enables legacy USB support. Auto disables legacy support if no USB devices are connected. Disable keeps USB devices available only for EFI applications. [Enabled, Disabled, Auto]
	XHCI Hand-off	Known work around for Oses without XHCI hand-off support. The XHCI ownership change should be claimed by XHCI driver. [Enabled, Disabled]
	USB Mass Storage Driver Support	[Enabled, Disabled]
	USB hardware delays and time-outs:	
	USB transfer time-out	Time out value for Control, Bulk and Interrupt. [1 sec, 5 sec, 10 sec, 20 sec]
	Device reset time-out	USB mass storage device Start Unit command time-out. [1 sec, 5 sec, 10 sec, 20 sec]
	Device power-up delay	Maximum time device takes before reporting to the host controller properly. Auto uses default value (for a root port 100 ms and for a Hub port the delay is taken from hub descriptor). [Auto, Manual]
	Mass Storage Devices:	
	Pi-KVM CD-ROM Drive 0510	Mass storage device emulation type. Auto enumerates devices according to their media format. Optical drives are emulated as CDROM, drives with no media will be emulated according to drive type. [Auto, Floppy, Forced FDD, Hard Disk, CD-Rom]
	Network Stack Configuration >	Network Stack
CSM Configuration>	CSM Support	Enables or disables CSM Support. [Enabled, Disabled]

Sub-Screen	Function	Second level Sub-Screen/Description		
NVMe Configuration>	Depends on hardware configuration.			
TLS Auth Configuration>	Server CA Configuration>	Enroll Cert>	Enroll Cert Using File	
			Cert Guide>	Input digital character
			Commit Changes and Exit	
		Discard Changes and exit		
	Delete Cert>			
	Client Cert Configuration			
RAM Disk Configuration>	Disk Memory Type	Specifies type of memory to use from available memory pool in system to create a disk. [Boot Service Data , Reserved]		
	Create raw>	Size (Hex)	The valid RAM disk size should be multiples of the RAM disk block size.	
		Create & Exit	Create a new RAM disk with the given starting and ending address.	
		Discard & Exit		
	Create from file	Create a RAM from a given file		
	Created RAM disk list:			
	Remove selected RAM disk(s)	Removes selected RAM disk(s)		
Driver Health>	Intel® Gigabit 0.9.03	Provides health status for the drivers/controllers [Healthy]		

6.4.3. Chipset Menu

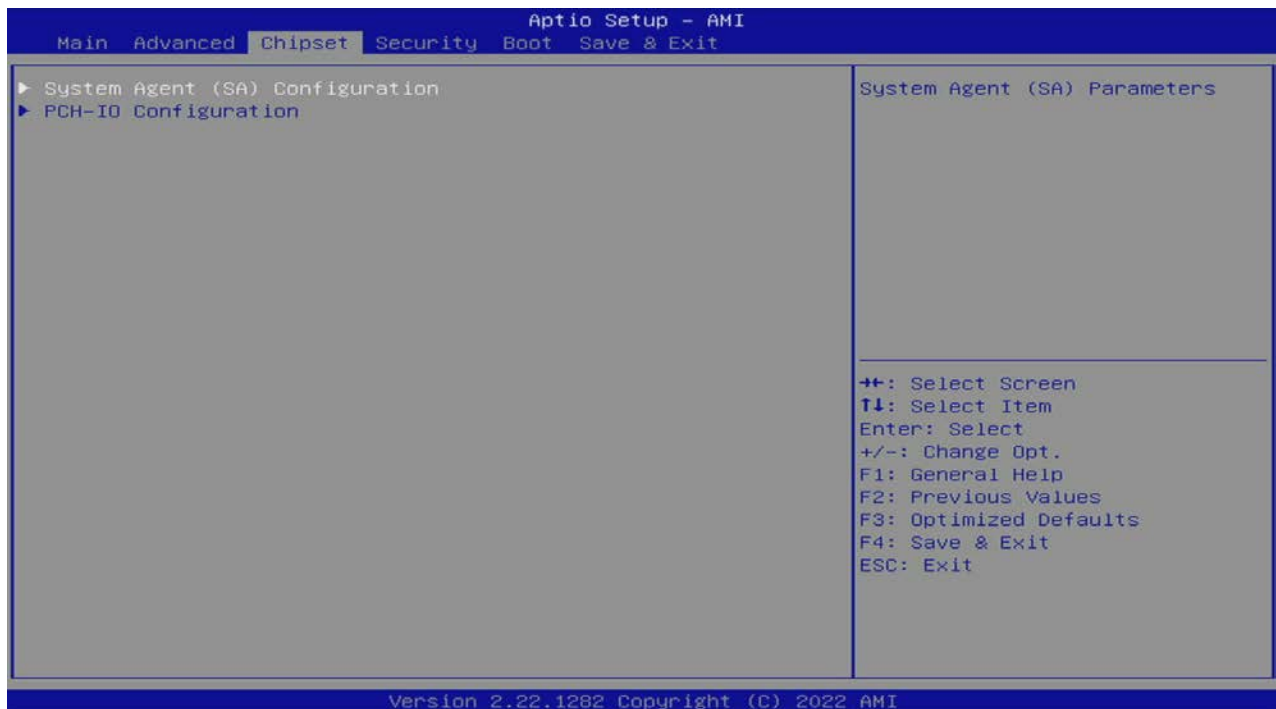
NOTICE

Setting items, on this screen, to incorrect values may cause system malfunctions.

NOTICE

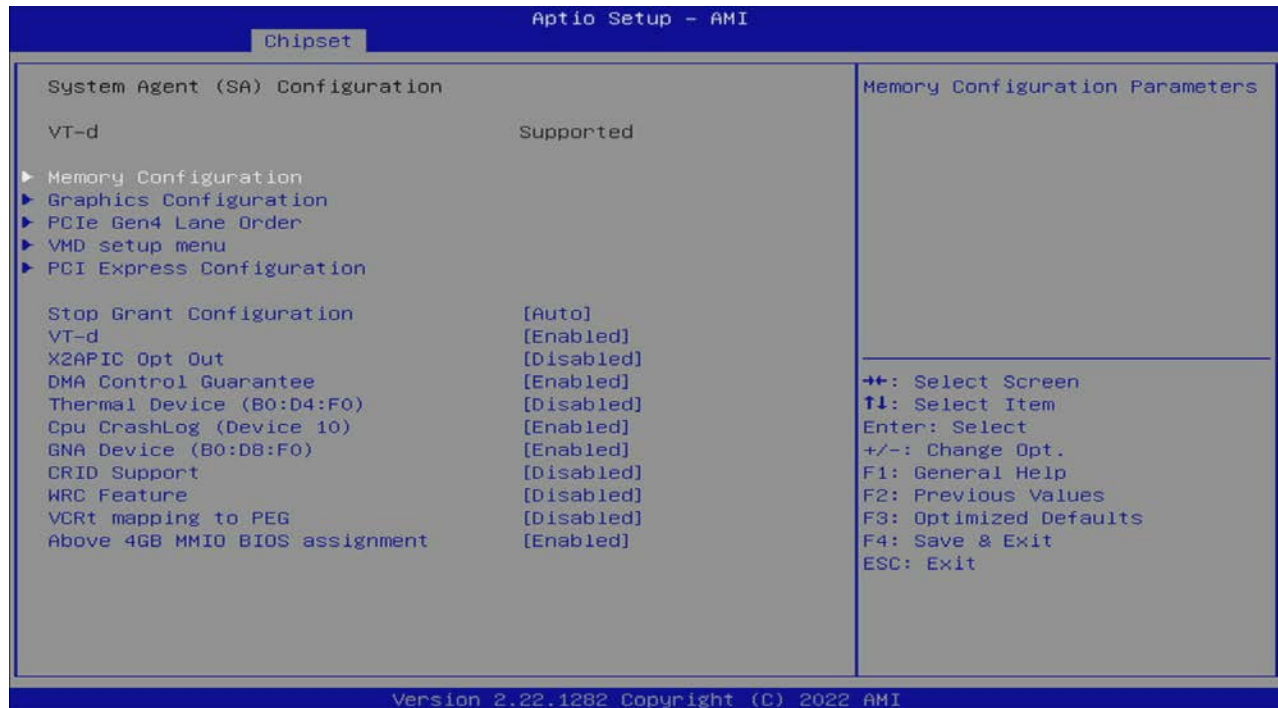
UART0 will not be disabled for usage in an operating system because it uses a PCI root function, which would cause all serial interfaces to disappear if being disabled. So though being set to 'disabled' it will be available in any operating system after boot. All other devices in the screen can be disabled for usage in BIOS and OS.

Figure 17: Chipset Menu Initial Screen



6.4.3.1. Chipset System Agent (SA) Configuration Menu

Figure 18: Chipset> System Agent (SA) Configuration Setup Menu Initial Screen



The following table shows the Chipset System Agent (SA) Configuration sub-screen and describes the function. Default settings are in **bold**.

Table 69: Chipset menu Sub-screens and Functions

Function	Second level Sub-Screen/Description	
VT-d	Supported	
Memory Configuration>	Read only field Memory Configuration: Memory RC Version, Memory Speed, Memory Timings, for Controller #-Channel #-Slot #: Size, Number of Ranks and Manufacturer.	
	Override Performance Downgrade for Mixed Memory [Enabled, Disabled]	Enable override to remove performance limitation when mixed memory modules are populated.
	Memory Test on Warm Boot [Enabled , Disabled]	Base memory test run in warm boot.
	Maximum Memory Frequency [Auto , 1067, 1200, ...8400]	Selects maximum memory frequency in MHz
	HOB Buffer Size [Auto , 1B, 1KB, Max(assuming 63 KB total HOB size)]	Selects size of HOB Buffer.
	Max TOLUD [Dynamic , 1 GB, 1.25 GB,... 3.5 GB]	Maximum value of TOLUD. Dynamic adjusts TOLUD automatically based on largest MMIO length of installed graphic controller.

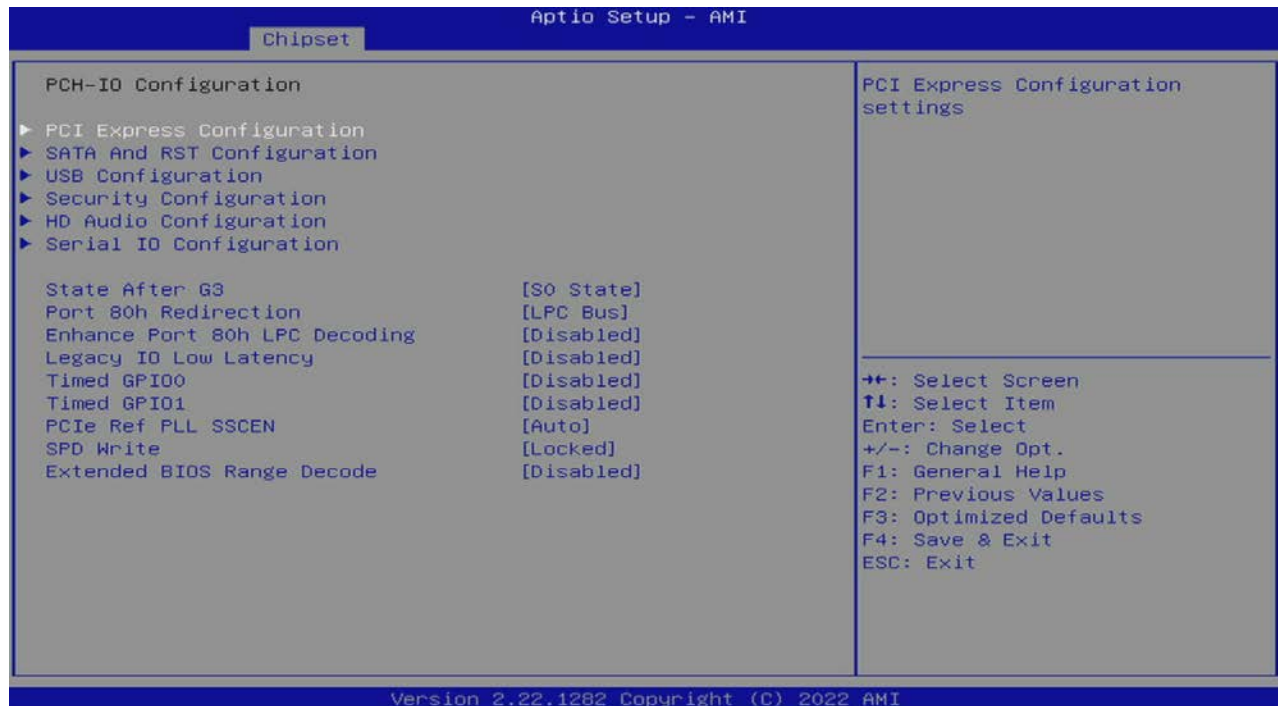
Function	Second level Sub-Screen/Description		
Memory Configuration>	In-Band ECC Support	Enables or disables In-Band ECC. Either IB ECC or the TME can be enabled. [Enabled, Disabled]	
	Fast Boot	Fast path through the MRC [Enabled, Disabled]	
Graphics Configuration>	Skip Scanning Slots for External Gfx	Enable will not scan for external Gfx cards on PEG and PCH PCIe ports. [Enabled, Disabled]	
	Primary Display	Selects which graphics device is the primary display. Hybrid Gfx (HG) can be chosen alternatively. [Auto, IGFX, PEG Slot, PCH PCI, Hybrid Gfx]	
	Select PCIe Card	Selects the card used on the platform. [Auto, Elk Creek 4, PEG Eval]	
	External Gfx Card Primary Display Configuration	(Depends on hardware configuration.)	
	Internal Graphics	Keep IGfx based on the setup option. [Auto, Disabled, Enabled]	
	GTT Size	Selects the GTT Size. [2 MB, 4 MB, 8 MB]	
	Aperture Size	Selects the Aperture Size. Note: above 4GB MMIO BIOS assignment is automatically enabled when selecting 2048 MB aperture. To use this feature disable CSM Support. [128 MB, 256 MB, 512 MB, 1024 MB]	
	DVMT Pre-Allocated	Select DVMT 5.0 pre-allocated (fixed) Graphics Memory size used by the Internal Graphics device. [0 M, 32 M, ...60 M]	
	DVMT Total Gfx Mem	Select DVMT 5.0 Total Graphics Memory size used by the Internal Graphics device. [128 M, 256 M, MAX]	
	IGD Configuration>	Read only field IGD Managed by, Intel® GOP Driver, LVDS EEPROM Data, Data Format, Resolution, Color Depth, Channel Count	
		IGD Boot Type	Selects the video device activated during POST. This has no effect if external graphics are present. [Auto, LFP, LFP2, DPO, DP1, DP2, DP3]
		LFD Panel Type	[LVDS, eDP]
Panel Color Depth		[18 Bit, 24 Bit VESA, 24 Bit oLDI]	
Panel Channel Mode		[Auto, Single, Dual]	
Backlight Control		[None/External, PWM, PWM Inverted, I2C, I2C Inverted]	
PWM Frequency		[200 Hz, 400 Hz, ...40 kHz]	

Function	Second level Sub-Screen/Description		
Graphics Configuration>	IGD Configuration>	Backlight Value	Sets LCD backlight brightness (0-255) [128]
		LVDS Clock Center Spreading	[No Spreading, 0.5%, 1.0%, 1.5%, 2.0%, 2.5%]
		EFP3(DP0) Type	[DP with HDMI/DVI]
		EFP4(DP1) Type	[DP with HDMI/DVI]
		EFP5(DP2) Type	[DP with HDMI/DVI]
		EFP6(DP3) Type	[DisplayPort Only]
PCIe Gen4 Lane Order	PCIe Gen4 Lane Order	Allows for reverse lanes for SystemAgents based PCIe Gen4 port (x4) [Normal, Reversed]	
VMD Setup Menu	VMD controller	[Disabled]	
PCI Express Configuration	PCIe 4.0 Slot Select>	Select the PCIe M2 or CEMx4 slot [M2, CEMx4 slot]	
	PCIe Gen4 RP1 (PEG60)>	PCI Expr. Root Port 1>	Control the PCIe 4.0 Root port. [Enabled, Disabled]
		Connection Type	Selects the connection type to the root port. [Built-in, Slot]
		ASPM4	Sets the ASPM level. [Disabled, L1]
		L1 Substates	PCI Express L1 Substates settings. L1SS cannot be enabled when CLKREQMSG is disabled. [Disabled, L1.1, L1.1 & L1.2]
		PCIe 4.0 Speed	Configure PCIE 4.0 interface speed [Auto, Gen1, Gen2, Gen3, Gen4]]
		IOTG Mode	[Enabled, Disabled]
		Transmitter half swing	[Enabled, Disabled]
		Detect Timeout	The number of msec the reference code will wait for link to exit Detect State for enabled port before assuming there is no device and potentially disabling the port. 0
		P2P Support	Program P2P support registers according to setup option. [Enabled, Disabled]
Stop Grant Configuration	[Auto, Manual]		
VT-d	[Enabled, Disabled]		
X2APIC Opt Out	[Enabled, Disabled]		
DMA Control Guarantee	[Enabled, Disabled]		

Function	Second level Sub-Screen/Description
Thermal Device (B0:D4:F0)	SA Thermal Device is always enabled for ICL A0 stepping. [Enabled, Disabled]
CPU Crashlog (Device 10)	[Enabled , Disabled]
GNA Device (B0:D8:F0)	SystemAgent Gaussian Network Accelerator (GNA) Device. [Enabled , Disabled]
CRID Support	SystemAgent CRID and TCSS CRID control for Intel SIPP. [Enabled, Disabled]
WRC Feature	SystemAgent WRC (write cache) features on IOP. When enabled supports IO devices allocating onto the ring and into LLC. [Enabled, Disabled]
VCRt mapping to PEG	[Enabled, Disabled]
Above 4GB MMIO BIOS Assignment	Above 4 GB memory mapping IO BIOS assignment. Note: Enabled automatically when aperture size is set to 2048 MB [Enabled , Disabled]

6.4.3.2. Chipset PCH-IO Configuration Setup Menu

Figure 19: Chipset PCH-IO Configuration Setup menu Initial Screen



The following table shows the Chipset PCH-IO Configuration sub-screens and describes the functions. Default settings are in **bold**.

Table 70: Chipset PCH-IO Configuration

Function	Second level Sub-Screen/Description		
PCI Express Configuration>	COMe PCIe mapping scheme	5x1 (Standard)	
	Port8xh Decode	PCI Express Port 8xh Decode [Enabled, Disabled]	
	PCIe Root Port 1, 2, 3, 4, 11, 12>(USB/SATA) PCIe Root Port 5> (COMe Lane 0) PCIe Root Port 6> (COMe Lane 1) PCIe Root Port 7> (COMe Lane 2) PCIe Root Port 8> (COMe Lane 3) PCIe Root Port 9> (COMe Lane 4) PCIe Root Port 10> (on-module Ethernet)	PCI Expr. Root Port #	Control the PCIe 4.0 Root port. [Enabled , Disabled]
		Connection Type	Selects the connection type to root port. [Built-in, Slot]
		ASPM	Sets the ASPM level: [Disabled , L0s, L1, L0sL1, Auto]
		PME SCI	[Enabled , Disabled]
		Hot Plug	[Enabled, Disabled]
		PCIe Speed	Configure PCIe Speed [Auto , Gen1, Gen2, Gen3]

Function	Second level Sub-Screen/Description			
PCI Express Configuration>	PCIe Root Port 1, 2, 3, 4, 11, 12>(USB/SATA) PCIe Root Port 5> (COMe Lane 0) PCIe Root Port 6> (COMe Lane 1) PCIe Root Port 7> (COMe Lane 2) PCIe Root Port 8> (COMe Lane 3) PCIe Root Port 9> (COMe Lane 4) PCIe Root Port 10> (on-module Ethernet)	Detect Timeout	Value in msec the reference code waits for link to exit Detect State for enabled port before assuming there is no device and potentially disabling the port. 0	
		Extra Bus Reserved	Extra Bus Reserved (0-7) for bridges behind this Root Bridge. 0	
		Reserved Memory	Reserved memory for this Root Bridge (1-20) MB 10	
		Reserved I/O	Reserved I/O (4K/8K/12K/16K/20K) Range for this Root bridge 4	
SATA and RST Configuration>	SATA Controller	[Enabled, Disabled]		
	SATA Mode Selection	[AHCI]		
	SATA Speed Limit	[Auto, 1.5 Gb/s, 3.0 Gb/s, 6 Gb/s]		
	Software Feature Mask Configuration>	HDD Unlock	Enable indicates the HDD password unlock in the OS is enabled. [Enabled, Disabled]	
		LED Locate	Enable indicates that LED/SGPIO hardware is attached and ping to locate feature is enabled on OS. [Enabled, Disabled]	
	Serial ATA Port 0, 1>	Port 0, 1	[Enabled, Disabled]	
		External	Marks the port as external. [Enabled, Disabled]	
		Spin Up Device	Staggered Spin Up performed and only on drives with this option enabled spin up at boot. Otherwise all drives spin up at boot. [Enabled, Disabled]	
SATA Device Type		Identifies connected device. [Hard Disk Drive, Solid State Drive]		
USB Configuration>	xDCI Support	Enables or disables xDCI (USB OTG device) [Enabled, Disabled]		
	USB2 PHY Sus Well Power Gating	Enable SUS Well PG for USB2 PHY. This option has no effect on PCH-H. [Enabled, Disabled]		

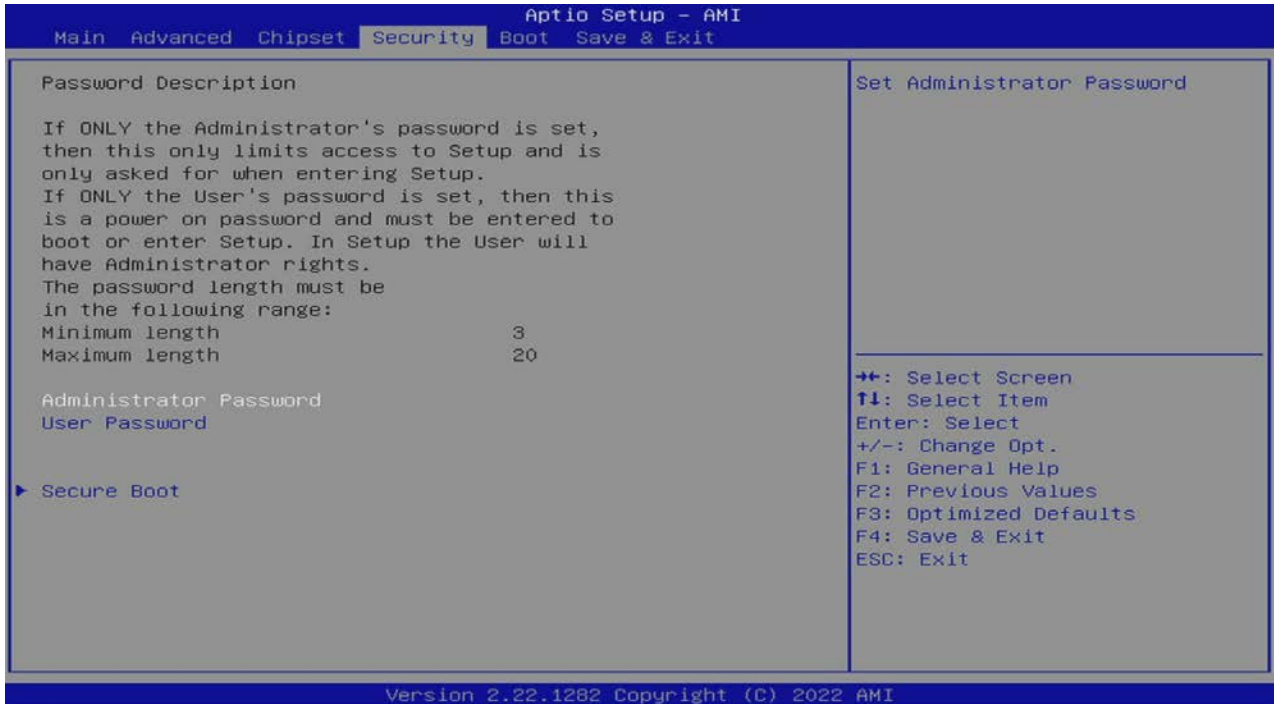
Function	Second level Sub-Screen/Description	
USB Configuration>	USB PDO Programming	Select enable if Port Disable Override functionality is used [Enabled, Disabled]
	XHCI LTR Mode	[Enabled, Disabled]
	USB Overcurrent	Select disabled for pin-based debug. Note: If Pin-based debug is enable but USB over current is not disabled, USB Dbc does not work. [Enabled, Disabled]
	USB Overcurrent Lock	Select enabled if over current functionality is used. This makes the xHCI controller consume the overcurrent mapping data. [Enabled, Disabled]
	USB Port Disable Override	Enables or disables the USB port from reporting a device connection to the controller. [Disabled, Select Per-Pin]
Security Configuration>	RTC Memory Lock	Enable locks bytes (38h to 3Fh) in the lower/upper 128 bytes bank of RTC RAM. [Enabled, Disabled]
	BIOS Lock	PCH BIOS Lock enable. Note: Enable required for SMM protection of Flash. [Enabled, Disabled]
	Force unlock on all GPIO pads	Select enable to forces all GPIO pads to be in unlocked state. [Enabled, Disabled]
HD Audio Subsystem Configuration>	HD Audio	Controls detection of the HD-Audio device and unconditionally enables or disables the device. [Enabled, Disabled]
	Audio DSP	[Enabled, Disabled]
	Audio DSP Compliance Mode	Specifies DSP enable system compliance. Note: NHLT (DMIC/BT/I2S configuration) is published for non-UAA only. [non-UAA (IntelSST), UAA (HAD Inbox/IntelSST)]
	HD Audio Bus Controller Subsystem ID	Select HD Audio Bus Controller Subsystem ID. [72708086, 300010EC.....302E10EC]
Serial IO Configuration	SPIO Controller & SPIO1 Controller	Enables or disables the Serial IO Controller. If the given device is function 0 PSF disabling is skipped. PSF default remains and device PCI CFG space is visible. This is needed to allow PCI enumerator access functions above 0 in a multifunction device. The following device depend on each other : I2C 0 & I2C 1,2,3 UART 0 & UART 1, SPI 0,1 UART 2 & I2C 4,5 Note:

Function	Second level Sub-Screen/Description		
Serial IO Configuration	SPIO Controller & SPIO1 Controller	UART0 (00:30:00) cannot be disabled when child device is enabled like CNVi Bluetooth (_SB.PC00.UA00.BTH=) UART0 (00:30:00) cannot be enabled when I2S Audio codec is enabled (_SB.PC00.I2C0.HDAC) [Enabled, Disabled]	
	UART0 Controller	[Enabled]	
	UART1 Controller	[Enabled]	
	UART2 Controller	[Disabled]	
	Serial IO SPI1 Settings>	ChipSelect 0 polarity	Sets initial polarity of ChipSelect signal. Initial low is with initial idle polarity of low. [Active Low, Active High]
		ChipSelect 1 polarity	
	Serial IO UART0 Settings>	Hardware Flow Control	[Disabled]
		Timing parameters disabled	
Serial IO UART1 Settings>	Hardware Flow Control	[Disabled]	
	Timing parameters disabled		
State after G3	Specifies the state to go to when power is reapplied after a power failure (G3 state). [S0 State , S5 State]		
Port 80h Redirection	Controls where the port 80h cycles are sent. [LPC Bus , PCIE Bus]		
Enhance Port 80h LPC Decoding	Supports the word/dword decoding of port 80h behind LPC. [Enabled, Disabled]		
Legacy IO Low Latency	Sets to enable low latency of legacy IO. Note: Some system requires lower IO latency irrespective of power. This is a tradeoff between power and IO latency. [Enabled, Disabled]		
Timed GPIO0	Enables or disables Timed GPIO0 Note: disabled will disable cross time stamp time-synchronization as extension of Hammock Harbor time synchronization. [Enabled, Disabled]		
Timed GPIO1	Enables or disables Timed GPIO1 Note: disabled will disable cross time stamp time-synchronization as extension of Hammock Harbor time synchronization. [Enabled, Disabled]		
PCIe Ref PLL SSCEN	PCIe Ref PLL SC percentage. Range (0% to 5%) Auto = keep hardware default [Auto, 0.0% , 0.1%, 0.2%, 0.3%, 0.4%, 0.5%]		
SPD Write	Lock or release SPD write capability. For security recommendations, SPD write lock must be set. [Locked , Released]		
Extended BIOS Range Decoder	Enable causes memory cycles falling in a specific area to be redirected to a SPI flash controller. [Enabled, Disabled]		

6.4.4. Security Setup Menu

The Security Setup menu provides information about the passwords and functions for specifying the security settings. The passwords are case-sensitive.

Figure 20: Security Setup Menu Initial Screen



The following table shows the Security set up sub-screens and functions, and describes the content.

Table 71: Security Setup Menu Functions

Function	Description	
Administrator Password	Sets administrator password	
User Password	Sets user password	
Secure Boot	Secure Boot	When enabled Platform key (PK) is enrolled and the system is in user mode. The mode change requires platform reset. [Enabled, Disabled]
	Secure Boot Mode	In Custom mode, Secure Boot Policy variables can be configured by a physically present user without full authentication. [Custom , Standard]
	Restore Factory Keys	Force system to user mode. Install factory default secure Boot key databases. [Yes, No]
	Reset to Setup Mode	
	Key Management>	Factory Key Provision [Enabled, Disabled] Restore Factor Keys [Yes, No] Enroll Efi Image [OK]

Function	Description	
Secure Boot	Key Management>	Restore DB Defaults [Yes, No]
		Secure Boot variables (Size/Keys/Key source)
		Platform Key [Update]
		Key Exchange Keys [Update Append]
		Authorized Signatures [Update Append]
		Forbidden Signatures [Update Append]
		Authorized TimeStamps [Update Append]
		OSRecovery Signatures [Update Append]



If only the administrator's password is set, then only access to setup is limited and requested when entering the setup.

If only the user's password is set, then the password is a power on password and must be entered to boot or enter setup. In the setup the user has administrator rights.

The required password length in characters is max. 20 and min. 3.

6.4.4.1. Remember the Password

It is highly recommended to keep a record of all passwords in a safe place. Forgotten passwords results in the user being locked out of the system.

If the system cannot be booted because the User Password or the Supervisor Password are not known, clear the UEFI BIOS settings, or contact Kontron Support for further assistance.

6.4.5. Boot Menu

The Boot menu provides functions for booting up the setup program.

Figure 21: Boot Screen

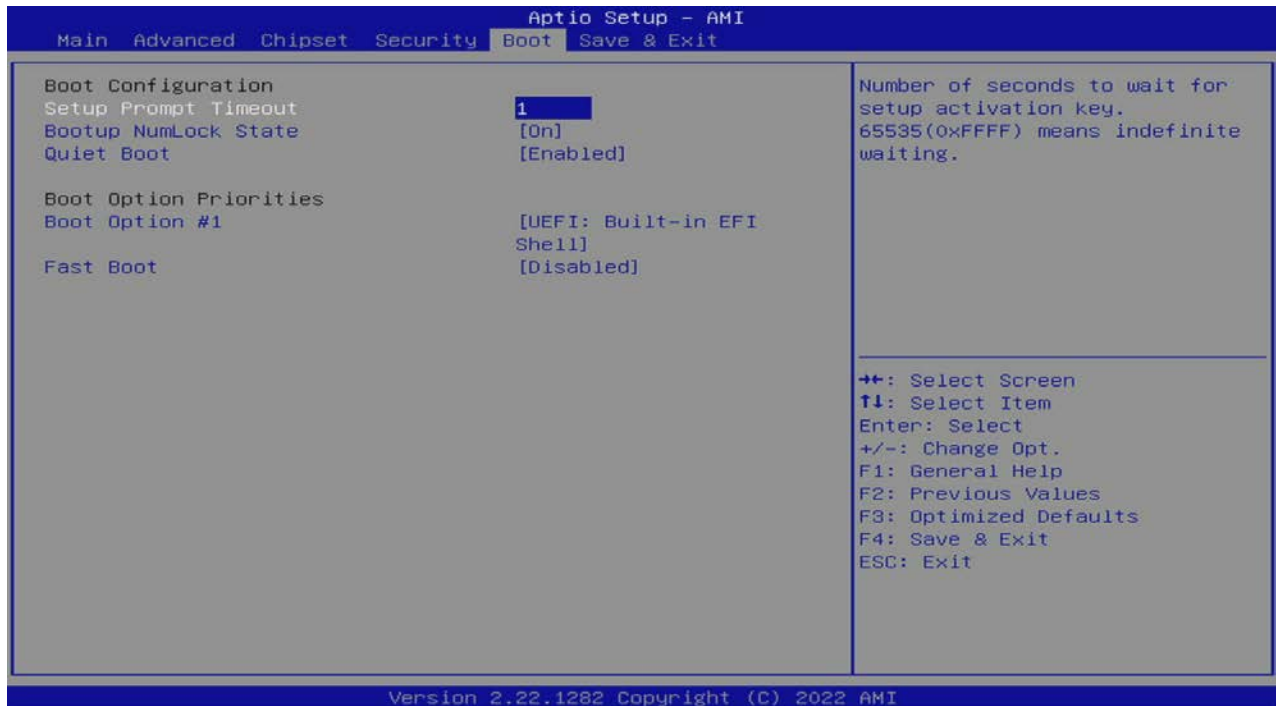


Table 72: Boot Menu Functions

Function	Description
Boot Configuration	
Setup Prompt Timeout	Number of seconds to wait for setup activation key. 65535 (0xFFFF) means indefinite waiting. 1
Bootup NumLock State	[On, Off]
Quiet Boot	[Enabled, Disabled]
Boot Option Priorities	
Boot Option #1	Set the system boot order [UEFI: Built-in EFI Shell, Disabled]
Fast Boot	[Enabled, Disable]

6.4.6. Save and Exit Setup Menu

The Save and Exit setup menu provides functions for handling changes made to the UEFI BIOS settings and exiting the setup program.

Figure 22: Save and Exit Setup Menu Initial Screen

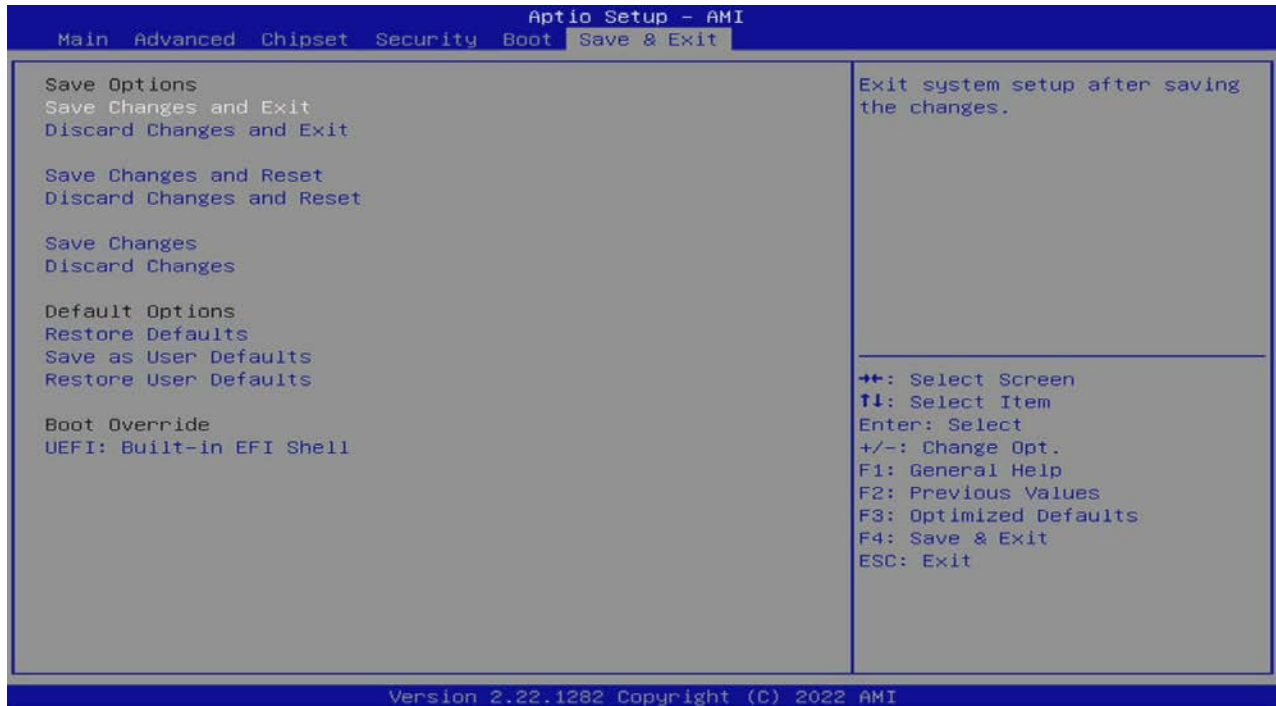


Table 73: Save and Exit Setup Menu Functions

Function	Description
Save Changes and Exit	Exits system after saving changes
Discard Changes and Exit	Exits system setup without saving changes
Save Changes and Reset	Resets system after saving changes
Discard Changes and Reset	Resets system setup without saving changes
Save Changes	Saves changes made so far for any setup options
Discard Changes	Discards changes made so far for any setup options
Restore Defaults	Restores/loads standard default values for all setup options
Save as User Defaults	Saves changes made so far as user defaults
Restore User Defaults	Restores user defaults to all setup options
Boot Override	Attempts to launch the built-in EFI Shell

7/ Technical Support

For technical support, contact our Support department:

- ▶ E-mail: support@kontron.com
- ▶ Phone: +49-821-4086-888

Make sure you have the following information available when you call:

- ▶ Product ID Number (PN),
- ▶ Serial Number (SN)
- ▶ Module's revision
- ▶ Operating System and Kernel/Build version
- ▶ Software modifications
- ▶ Addition connected hardware/full description of hardware set up



The serial number can be found on the Type Label, located on the product's rear side.

Be ready to explain the nature of your problem to the service technician.

7.1. Warranty

Due to their limited service life, parts that by their nature are subject to a particularly high degree of wear (wearing parts) are excluded from the warranty beyond that provided by law. This applies to the CMOS battery, for example.



If there is a protection label on your product, then the warranty is lost if the product is opened.

7.2. Returning Defective Merchandise

All equipment returned to Kontron must have a Return of Material Authorization (RMA) number assigned exclusively by Kontron. Kontron cannot be held responsible for any loss or damage caused to the equipment received without an RMA number. The buyer accepts responsibility for all freight charges for the return of goods to Kontron's designated facility. Kontron will pay the return freight charges back to the buyer's location in the event that the equipment is repaired or replaced within the stipulated warranty period. Follow these steps before returning any product to Kontron.

1. Visit the RMA Information website:
<http://www.kontron.com/support-and-services/support/rma-information>

Download the RMA Request sheet for **Kontron Europe GmbH** and fill out the form. Take care to include a short detailed description of the observed problem or failure and to include the product identification Information (Name of product, Product number and Serial number). If a delivery includes more than one product, fill out the above information in the RMA Request form for each product.

2. Send the completed RMA-Request form to the fax or email address given below at Kontron Europe GmbH. Kontron will provide an RMA-Number.

Kontron Europe GmbH
RMA Support
Phone: +49 (0) 821 4086-0
Fax: +49 (0) 821 4086 111
Email: service@kontron.com

3. The goods for repair must be packed properly for shipping, considering shock and ESD protection.



Goods returned to Kontron Europe GmbH in non-proper packaging will be considered as customer caused faults and cannot be accepted as warranty repairs.

4. Include the RMA-Number with the shipping paperwork and send the product to the delivery address provided in the RMA form or received from Kontron RMA Support.

List of Acronyms

Table 74: List of Acronyms

ACPI	Advanced Configuration Power Interface	HBR2	High Bitrate 2
API	Application Programming Interface	HDA	High Definition Audio (HD Audio)
Basic Module	COM Express® 125 x 95 Module form factor	HD/HDD	Hard Disk /Drive
BIOS	Basic Input Output System	HDMI	High Definition Multimedia Interface
BMC	Base Management Controller	HPM	PICMG Hardware Platform Management specification family
BSP	Board Support Package	I2C	Inter integrated Circuit Communications
BPP	Bit Per Pixel	IOL	IPMI-Over-LAN
CAN	Controller-area network	IOT	Internet of Things
Carrier Board	Application specific circuit board that accepts a COM Express® module	IPMI	Intelligent Platform Management Interface
COM	Computer-on-Module	KCS	Keyboard Controller Style
Compact Module	COM Express® 95x95 Module form factor	KVM	Keyboard Video Mouse
CNTG	Computer Network Transaction Group	LAN	Local Area Network
DDC	Display Data Control	LPC	Low Pin-Count Interface:
DDI	Digital Display Interface –	LVDS	Low Voltage Differential Signaling
DIMM	Dual In-line Memory Module	M.A.R.S.	Mobile Application for Rechargeable Systems
Display Port	DisplayPort (digital display interface standard)	MDI	Media Dependent Interface
DMA	Direct Memory Access	MEI	Management Engine Interface
DRAM	Dynamic Random Access Memory	Mini Module	COM Express® 84x55mm Module form factor
DVI	Digital Visual Interface	MTBF	Mean Time Before Failure
EAPI	Embedded Application Programming Interface	NA	Not Available
ECC	Error Checking and Correction	NC	Not Connected
EEPROM	Electrically Erasable Programmable Read-Only Memory	NCSI	Network Communications Services Interface
eDP	Embedded Display Port	PATA	Parallel AT Attachment
EMC	Electromagnetic Compatibility (EMC)	PCI	Peripheral Component Interface
ESD	Electro Sensitive Device	PCIe	PCI-Express
Extended Module	COM Express® 155mm x 110mm Module form factor.	PECI	Platform Environment Control Interface
FIFO	First In First Out	PEG	PCI Express Graphics
FRU	Field Replaceable Unit	PICMG®	PCI Industrial Computer Manufacturers Group
Gb	Gigabit	PHY	Ethernet controller physical layer device
GBE	Gigabit Ethernet	Pin-out Type	COM Express® definitions for signals on COM Express® Module connector pins.
GPI	General Purpose Input	PS2	Personal System 2 (keyboard & mouse)
GPIO	General Purpose Input Output	PSU	Power Supply Unit
GPO	General Purpose Output	RoHS	Restriction of Hazardous Substances
GPU	Graphics Processing Unit	RTC	Real Time Clock

SAS	Serial Attached SCSI – high speed serial version of SCSI
SATA	Serial AT Attachment:
SCSI	Small Computer System Interface
SEL	System Event Log
ShMC	Shelf Management Controller
SMBus	System Management Bus
SO-DIMM	Small Outline Dual in-line Memory Module
SOIC	Small Outline Integrated Circuit
SOL	Serial Over LAN
SPI	Serial Peripheral Interface
SSH	Secure Shell

TPM	Trusted Platform Module
UART	Universal Asynchronous Receiver Transmitter
UEFI	Unified Extensible Firmware Interface
UHD	Ultra High Definition
ULP	Ultra Low Power
USB	Universal Serial Bus
VGA	Video Graphics Adapter
VLP	Very Low Profile
WDT	Watch Dog Timer
WEEE	Waste Electrical and Electronic Equipment (directive)



About Kontron

Kontron is a global leader in IoT/Embedded Computing Technology (ECT). Kontron offers individual solutions in the areas of Internet of Things (IoT) and Industry 4.0 through a combined portfolio of hardware, software and services. With its standard and customized products based on highly reliable state-of-the-art technologies, Kontron provides secure and innovative applications for a wide variety of industries. As a result, customers benefit from accelerated time-to-market, lower total cost of ownership, extended product lifecycles and the best fully integrated applications

For more information, please visit: www.kontron.com



GLOBAL HEADQUARTERS

Kontron Europe GmbH
Gutenbergstraße 2
85737 Ismaning, Germany
Tel.: + 49 821 4086-0
Fax: + 49 821 4086-111
info@kontron.com